

## Section 10

# Plumbing

Flat Hose  
12V Pumps  
12V Taps  
Filters  
Sewer Hose and Attachments  
Water Tank Monitors  
Water Pressure Controllers  
Drinking Hose  
Sullage Hose  
Hose Fittings  
Water Fillers  
Lockable Water Fillers  
Taps  
Shower Boxes  
Shower Trays  
Sinks  
Filters  
Plumbing Fittings  
John Guest Fittings  
Water Tanks



# HYDROFLOW™ RV

# RV FLOMASTER



Included  
2 x Barbed hose fittings  
1 x Strainer  
SPECIFICATIONS  
OPEN FLOW: 11.3L PM /3.0GPM  
VOLTS: 12VDC  
AMPS: 3.5A MAX AMPS: 7.5A  
PRESS SETTINGS: 55PSI

## 11L 12V Automatic Water Pump

The Hydroflow Pump Range by Flow-master . are top of the range self priming automatic pressure pumps. With super quiet and smooth operation they are ideal for supplying water to taps, showers, and sinks. Backed by a 3 year warranty, they the ideal 12V pump for Caravans, RV!

11L 12V Automatic Water Pump - 7400

## 17L 12V Automatic Water Pump

17L 12V Automatic Water Pump - 7402



The Hydroflow Pump Range by Flow-master . are top of the range self priming automatic pressure pumps. With super quiet and smooth operation they are ideal for supplying water to taps, showers, and sinks. Backed by a 3 year warranty, they the ideal 12V pump for Caravans, RV!



## 3.8L 12V Automatic Water Pump

SPECIFICATIONS  
OPEN FLOW: 3.8L PM /1.0GPM  
VOLTS: 12VDC 9-14.4V  
AMPS: 3.5A  
PRESS SETTINGS: 35PSI

3.8L 12V Automatic Water Pump - 7401



## Thirsty Nomad Complete Kit

THE COMPLETE CARAVAN WATER PRE-FILTRATION & PURIFICATION SYSTEM

Especially designed for caravans, to treat Australia's Bore Water and then PURIFY your drinking water in your van - for your peace of mind on the road. All in one convenient, ready to go, box. Easy installation - no plumber required.

Thirsty Nomad Complete Kit - 7410

## 5 in 1 Purifying Filter



5 in 1 Purifying Filter - 7413



## Bore Water & 1 micron Sediment Pre-Filter

REPLACEABLE CARTRIDGES  
LONG LASTING - EACH CARTRIDGE TYPICALLY WILL LAST 3,500 LITRES (depending on water quality)



Bore Water & 1 micron Sediment Pre-Filter - 7411

## 2 Pack of 1 Micron Sediment & Bore Water Cartridges

Pack of 2 refills for your Thirsty Nomad 1 micron Bore Water & Sediment Pre-Filter for tank filling.



2 Pack of 1 Micron Sediment & Bore Water Cartridges - 7412



The highest level of protection, ideal for the carvanner, off roader, and those with compromised immune systems and young families. PLEASE NOTE, THE PURIFIER IS NOT DESIGNED FOR TANK FILLING. THE THIRSTY NOMAD 1 MICRON SEDIMENT & BORE WATER PRE-FILTER IS THE IDEAL FILTER FOR PRE-FILTERING AND TANK FILL USE - NOT THIS PURIFIER.



**12V Pump**



Smooth flow from 0.7gpm to 2.9gpm (2.6 to 11.0 lpm). Built-in "Pulsation Eliminator" to reduce the cycling and noise. No need for an accumulator tank. Can run dry and self-primers to 9' (3m).

Bulk 12v - 7513  
 Boxed -12v - 7515



**Flojet Filter**



1/2 MBSP Filter.

Flojet Filter - 7597



**Classic Series Twist on Strainer**



13mm pipe inlet twist on strainer.

Classic Series Twist on Strainer - 7578  
 Barbed Thread - 7579



**Pre-Pressurized Accumulator Tank**



SHURflo's Pre-Pressurized Accumulator Tank smoothes water faucet pulsations and reduces pump cycling to keep water line pressure up and pump motors cool.

- Pre-pressurized to 30 PSI with built-in diaphragm

Pre-Pressurized Accumulator Tank - 7554



**Shurflo 4048 Series Fresh Water RV Pump**

**High Flow - 15 LPM**



Introducing SHURflo's latest pump creation, the 4048 15LPM, 55 PSI RV Pump with Flow Reaction By-Pass Technology for smooth, low cycling, high-powered flow. Check out the features below, all accomplished without the need for complicated electronics.

- 4 GPM, 55 PSI, 10 Amps Max. [12 VDC Version], high performance
- Smooth, High-Powered Flow
- Reduced Cycling with Flow Reaction Technology
- Eco-Friendly design for reduction of hazardous waste and power use
- Automatic thermal overload protection
- Runs dry without damage
- Built-in check valve prevents backflow
- Dry primes to 6 vertical feet
- Automatic demand

Shurflo 4048 - 7528



**Single Fixture Automatic Demand Pump**



Voltage : 12 VDC  
 Dimensions Inches/Millimeters : 6.82" x 3.94" x 2.45" [173 x 100 x 62mm]  
 Flow Rate GPM/LPM : 1.0 GPM [3.7 LPM]  
 Amps (Max.) : 2.5  
 Shut-Off Pressure : 30 PSI [2.0 BAR]

Single Fixture Automatic Demand Pump - 7532



**Single Fixture Manual Demand Pump**



Voltage : 12 VDC  
 Flow Rate GPM/LPM : 1.0 GPM [3.7 LPM]  
 Amps (Max.) : 2.5  
 Shut-Off Pressure : 30 PSI [2.0 BAR]

Single Fixture Manual Demand Pump - 7544



**Macerator**

SHURflo's Macerator is designed to accommodate the need for a reliable, high performance waste evacuation pump.

- Premium Impeller Technology
- Seamless Shell Motor
- Sealed Manual turn Key
- Run Dry Capability
- Dual Blade Design
- Ignition Protected
- Thermally Protected
- 1 Year Warranty

Macerator - 7542



**Revolution 4009 Series Pump**

The 4009 Revolution™ fresh water automatic demand pump is super quiet, thermally protected and can run dry without damage.

- 11 Litres per Minute
- Self-Priming
- 45 PSI
- Internal Bypass-Low Cycling
- Quiet Operation
- Runs Dry – Thermally Protected
- Built-in Check Valve

(NB: 4008 Includes Fittings)

4009 24V Boxed - 7551

4009 - Bulk - 7552

4008 - Boxed - 7553

4009 Boxed Includes Filter - 7553FL



**Flat Hose Reel**



This handy 9m x 16mm ID flat hose reel kit is suitable for caravans, RV's, marine and recreational applications. Handy reel/winder with integrated carry handle. Food grade safe construction makes it suitable for drinking water

Flat Hose Reel - 7486



**B.E.S.T RV  
In Line Water Filter**

**B.E.S.T. = Bacteria Eliminating Silver Treatment**  
 Inline Water Filter.  
 1 micron filled with activated carbon and silver coated crystals. (Rated to last 5000 Litres)  
 This unit uses the 'Alternative' sanitisation medium.  
 Comes with 'click fit' hose connections on both ends (connects to standard garden hose connections - for filling RV tanks, when connected to mains or caravan park water, etc.).

Best Water Filter - 7488

**Caravan Inline Filter with Brass Hose Connectors**



The Puretec CR20 filter incorporates carbon filtration with SilverPlus™ Antibacterial Technology to remove taste, odour, chemicals and inhibit bacterial growth leaving healthy, great tasting water even while you are on the go.

Micron Rating 1 micron  
 Capacity 7500 litres  
 Connection 1/2 Garden Hose  
 Min/Max Flow Rate 0 - 20 litres per minute  
 Min/Max Temperature 2 - 38°C  
 Min/Max Pressure 200 - 520 kPa

Flat Hose Reel - 7494



**Deluxe Washdown Kit**



12V  
 4.5 gpm/ 17.0 lpm  
 17.0 A Max Draw  
 70 / 4.8 PSI/BAR  
 Quick Attach

Deluxe Washdown Kit - 7500



**Washdown Kit**

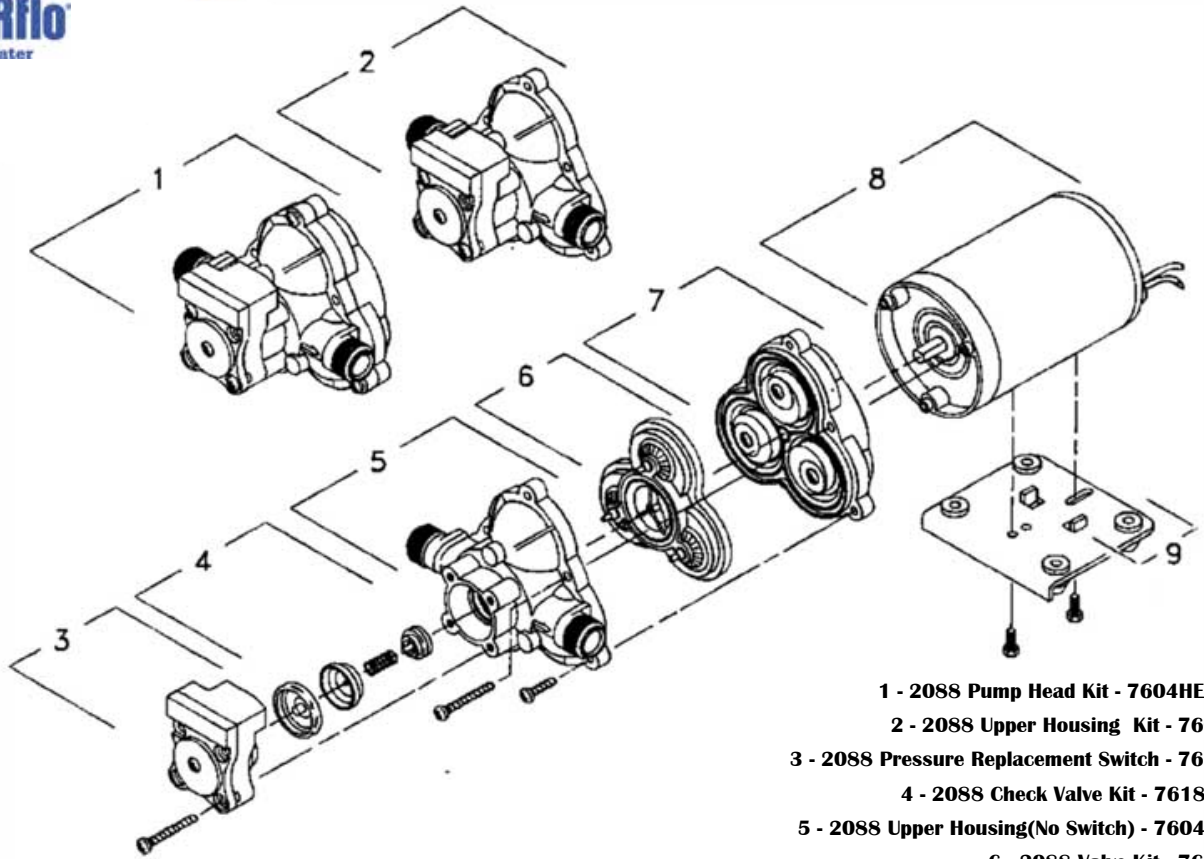


Run Dry Capability  
 UV protected black flexible coiled hose with garden hose connections  
 Spray nozzle

Seaflo Washdown Kit - 7504



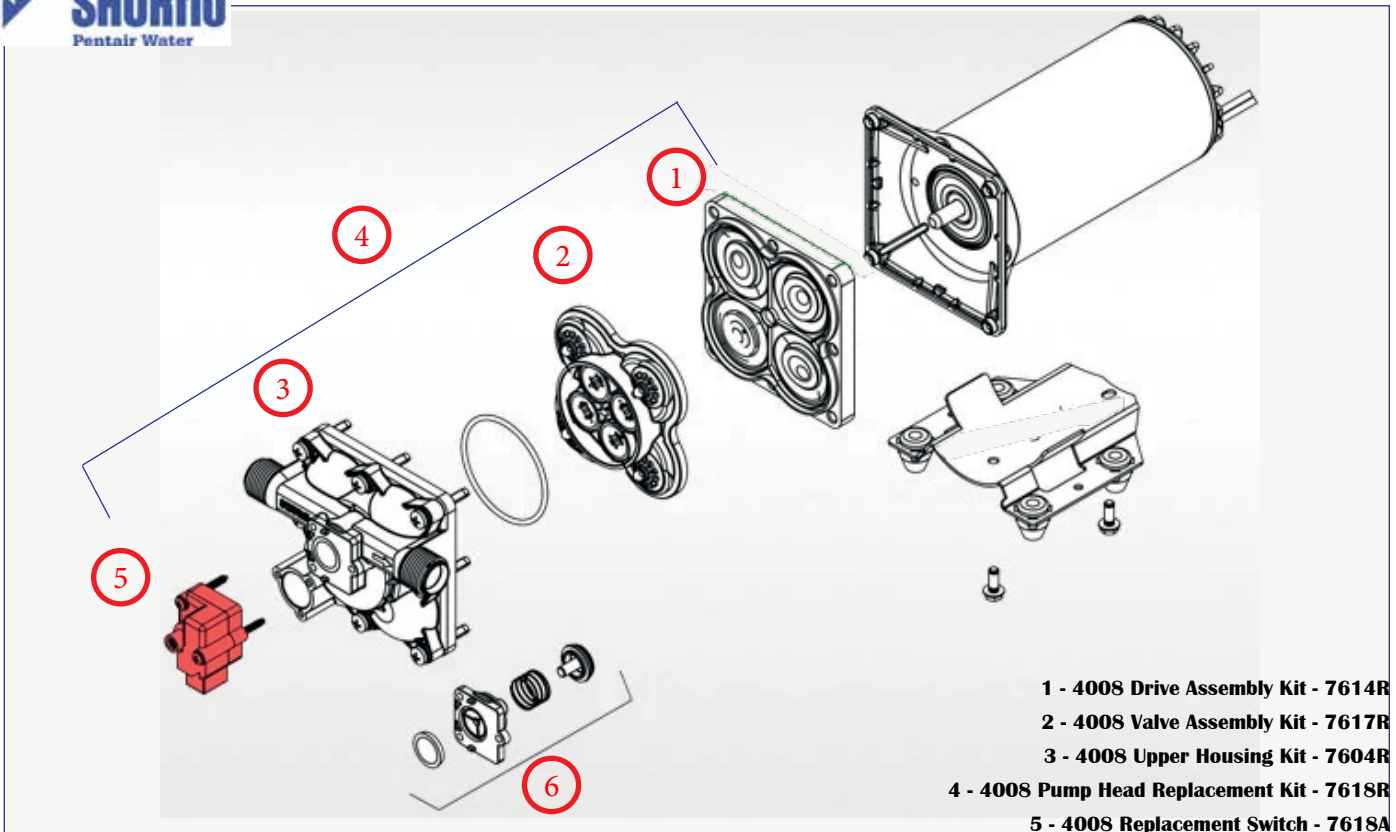
**2088 Pump Spare Parts**



- 1 - 2088 Pump Head Kit - 7604HEAD
- 2 - 2088 Upper Housing Kit - 7604
- 3 - 2088 Pressure Replacement Switch - 7618
- 4 - 2088 Check Valve Kit - 7618CV
- 5 - 2088 Upper Housing(No Switch) - 7604NS
- 6 - 2088 Valve Kit - 7617
- 7 - 2088 Lower Housing Drive Kit - 7614
- 8 - 2088 Replacement Motor Assembly - 7619



**4009 Pump Spare Parts**



- 1 - 4008 Drive Assembly Kit - 7614R
- 2 - 4008 Valve Assembly Kit - 7617R
- 3 - 4008 Upper Housing Kit - 7604R
- 4 - 4008 Pump Head Replacement Kit - 7618R
- 5 - 4008 Replacement Switch - 7618A
- 6 - 4008 Check Valve Kit - 7618B

**Whale Inline Pump**



In-line, 12 volt centrifugal pump, light enough to be suspended in the hose line. Sealed against casual water. Pump is not self priming and must be gravity fed. Output of 10 litres per minute.  
Overall length: 117mm  
Whale Inline Pump - 7555

**Whale Submersible Pump**



A compact highly efficient centrifugal pump. Designed to be dropped into a water tank or container, Includes built in strainer. Specifications: Open flow: 13.2l /mPower 3.15A 12 volt Hosesize10/13mmLength: 117mm  
Submersible Pump - 7525



**Waste Valve Extension Rod Kit**



Adjustable 10" to 12" extension rod kit comes with handle locking tab, extension rod and coupler  
Waste Valve Extension Rod Kit - 7583



**Inline Galley Pump With Tap**



12 volt centrifugal pump with mounting bracket. Chrome plated, swivel faucet with integral switch. Current draw - 3.15 amps. 13.2 Litres per minute.  
Inline Galley Pump With Tap - 7565



**Submersible Water Pump**



Handy small diameter Pumps for marine and RV, designed for use in confined spaces.  
Outlet Dia.: 13mm  
Power: 21V, 3amp  
Max.Head: 7m  
Height: 139mm  
Base Dia.: 42mm  
Submersible Water Pump - 7575



**EZ Coupler Valve Cap with Handle**



Cap with handle and 19mm hose connection.  
EZ Coupler Valve Cap with Handle - 7851EZ



**Galley Pump**



Open Flow Output: 17.7L/m  
Outlet Dia. : 13mm Power: 12v | 3amp  
Max. Head: 7m Height: 139mm Base Dia. : 42mm  
Galley Pump - 7570



**Master Blaster**



Great for cleaning toilet cassettes & water tanks  
Tank wands include convenient a shut off valve and effective spray nozzle  
Attach to hose, place through toilet and simply rinse out tank  
Includes power nozzle  
Master Blaster - 7582

**3" Hose Cap with Strap**



3" Hose Cap with Strap - 7585  
3" Hose Cap with Strap OEM - 7585OEM

**VALTERA** EZ Flush Triple Wrap



Extra heavy wire and special three ply virgin vinyl provides the ultimate in sewer hose performance. For those who want a strong, durable hose  
 10ft -7572  
 20ft - 7573

**Bladex™ Waste Valve Body 3"**



Bladex™ Waste Valve Body, 3" - 7586

**Quick Connect System with Swivel Bayonet Fitting**



Quick Connect System with Swivel Bayonet Fitting - 7587

**EII Double Rotating Valve, 3" Hub x 1-1/2" Hub x 3" Bayonet Cap**



EII Double Rotating Valve - 7588

**VALTERA** Quick Drain Sewer Hose



These tough wire and vinyl hoses resist cracking and checking. They also protect from toilet chemicals and extreme temperatures. Flexible in all weather conditions.

10ft -7576  
 20ft - 7577

**Hose Adapter, 3" Straight Rotating, Black**



Hose Adapter, 3" Straight Rotating Black - 7592

**Hose Adapter 3" Straight**



Hose Adapter 3" Straight - 7590

**San Tee Double Rotating Valve, 3" Hub x 1 1/2" Hub x 3" Bayonet Cap**



San Tee Double Rotating Valve - 7591

**Valve Seals 3" with Hardware**



Valve Seals 3 inch with Hardware -7593

**Hose Adapter, 45°**



Hose Adapter 45 deg - 7594

**Waste Valve Cap, 3", 3/4" GHT with Cap, Black**



Waste Valve Cap 3inch, 3/4inch GHT - 7595

**Twist On Waste Valve**



Twist On Waste Valve - 7596

- \* 45° adapter reduces stress on hose while dumping
- \* Fits all standard black waste valve systems
- \* Use with 3" clamp
- \* Santoprene® seal for leak proof connections

- \* Connect grey flushing hose for off-site draining of gray water tank
- \* Fits all standard black waste valve systems
- \* Santoprene(R) seal for leak proof connections
- \* Strap attaches to waste valve fittings to prevent loss

- \* No more mess with an old valve problem.
- \* Twists onto your current waste valve
- \* Eliminates expensive service work

**Fresh Water/ Holding Tank Monitor - AX 310**



**Fresh Water/Holding Tank Monitor Black - 7589**

Single monitor panel. Fresh water and holding tank monitor with water pump switch. 98.3mm x

117.4mm.

**Fresh Water/Grey Water Holding Tank Monitor**



Single monitor panel. Fresh water/grey water and holding tank monitor with water pump switch. 98.3mm x 117.4mm

**Black - 7610**

**Slimline Water Level Indicators**

**Single**



1 Sender Probes required. The water gauge measures only H65mm x W65mm x D11mm so it is small enough to fit any application

**Single Black - 7606B**

**Double**



2 Sender Probes required. The water gauge measures only H65mm x W65mm x D11mm so it is small enough to fit any application

**Double Black - 7607B**

**Triple**



3 Sender Probes required. The water gauge measures only H65mm x W65mm x D11mm so it is small enough to fit any application

**Triple Black - 7608B**

There is no need to wire in a 12 volt supply as the top indicator gauge comes complete with its own battery H65mm x W65mm x D16mm. Available with either 2.5 metre, 5 metre or 7.5 metre lead

**RV Water Level Indicator Sender**



**2.5m - 7609**



**5.0m - 7611**



**7.5m - 7613**



**2.5m Extension Lead - 7614EX2.5**

**LCD Water Level Indicators**

**Single**



**7599**

**Double Tank**



**7601**

**Single Tank/ Voltmeter**



**7600**

**Double Tank/Voltmeter**



**7602**

**Triple Tank**



**7603**

These new technology gauges have a coloured LCD analogue display with LED backlighting for crystal clear viewing.

Five levels are displayed.

A 12 volt supply is required. These gauges only draw 50 mA so they can be left on without flattening your on-board battery. There is a power on/off switch to turn the gauge off when the caravan is not in use.

The gauges can be matched with 2.5 metre, 5 metre or 7.5 metre lead sender probes.





**In-Line City Water Entry**



In line mains pressure controller reduces mains pressure to 50psi combined city water entry, pressure regulator and check valve. Attaches directly to hose.

**In-Line City Water Entry - 7615**



**In-Line Check Valve**



This check valve allows water to flow in only one direction helping to safeguard against back surge pressure up to 100 PSI.

**In-Line Check Valve - 7624**



**One Way Valve**



Fitted into the pump suction line to ensure maintenance of prime. Works extremely effectively with electric pumps.

**One Way Valve - 7630**



**Quick Connect RV Water Hookup 90 Degree**



90-degree hose saver adaptor makes RV water hookup quick and easy. Includes spare straight adaptor.

**Quick connect - 7640**

**Drinking Hose Connectors**



**Drinking Hose Connector Male - 7638**  
**Drinking Hose Connector Female - 7639**



**Valterra Hose Saver**



Stops hose kinking at faucet or RV connection. Medical grade plastic is drinking water safe.

**Valterra Hose Saver - 7641**

**City Water Pressure Controllers**



**White**



**Black**



**Chrome**

Reduces mains water to 50psi  
Combines mains water pressure entry, pressure regulator and check valve.  
Very easy to fit.

- Black - Boxed - 7620B**
- Black - Bulk - 7621B**
- White - Boxed - 7620**
- White - Bulk - 7621**
- Chrome Boxed - 7622**
- Chrome Bulk - 7623**

**Pressure Limiting Valve 350kpa With Check Valve**



**Pressure Limiting Valve 350kpa With Check Valve - 7625**

**Drinking Hose Bag**



**Drinking Hose Bag - 7642**

**Sullage Hose Bag**



Will assist with the coiling of up to 20mtrs of Potable Water Hose or 10mtrs of Drainage Hose

**Sullage Hose Bag - 7644**

**Hose Bag Pack Of 3**



- Grey- Sullage hose bag:**  
Suits up to 20m of sullage hose at 28mm or less, or else you can fit 20m of fresh water hose.
- Blue- Fresh water hose:**  
Suits up to 10-20m of fresh water hose.
- Yellow- Electrical lead storage bag:**  
Suits 20m+ of your electrical leads.
- Dimensions of all bags**  
D: 400mm x H:100m

**Hose Bag Pack Of 3 - 0007**

**12mm 10m & 20m Food Grade With Connectors**



Quality Food grade reinforced hose with fitted easy to use snap on water connections

- 10m Food Grade With Connectors - 7646**
- 20m Food Grade With Connectors - 7647**

**12mm Food Grade**



White braided drinking water hose.  
 12mm Food Grade - 10m - 7645  
 12mm Food Grade - 20m - 7650

**32mm Fluted Sullage Hose**



20m - 32mm - 7652  
 10m - 32mm - 7653

**28mm Fluted Sullage Hose**



20m - 28mm - 7654  
 10m - 28mm - 7659

**5m 25mm Fluted Sullage  
Hose with 38mm  
Connections**



5m Sullage Hose with Connectors - 7651  
**38mm Fluted Sullage Hose**



Smooth Internal Bore  
 38mm Diameter  
 10m - 7655  
 20m - 7656

**Flatout Multi Reel**



Ideal storage reel for hoses or electrical leads.  
 Small - 3000 x 65mm  
 Large 3750 x 80mm  
 Small - 7660  
 Large - 7665

**Flatout 25mm Sullage Hose**



Made from a vinyl compound with memory providing a flat hose when stored on the Multi-Reel. Available

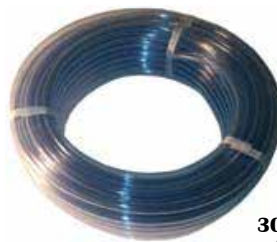
6 meters - 7670  
 9 meters - 7675

**Recessed Water Filler And Cap**



Filler and Cap - 7680

**Clear Tube Foodgrade Hose  
10mm**



30m - 7685  
 1m - 7690

**Flatout Multi-Reel  
With 12mm Food Grade Hose**



Easy to use flat out reel with 10m of braided food grade hose.

Flat Out Multi Reel  
 with Food Grade Hose - 7700

**Flatout 32mm 9m Sullage  
Hose**



Sold in 9 metre lengths on the "Multi Reel", the larger diameter allows faster drainage. "The hose for those who need extra flows!"

Flatout 32mm 9m Sullage Hose - 7703

**Solid Brass Spray Adaptor**



Solid Brass Spray Adaptors Available in 1/4" & 1 1/16" and threaded inlet Fits 12mm Click on USA Thread

Solid Brass Spray Adaptor 1 1/16" - 7704  
 Solid Brass Spray Adaptor 1/4 - 7706

**RV  
FLOMASTER**

**AC41 Water Filler**



White surface mount water filler with hinged cap.

Filler and Flap - 7705  
 Flap only - 7708

**Clear Tube Food Grade  
25mm**



25mm 20m - 7710  
 25mm 1m - 7715

**Flatout Drinking Water  
Hose**



It is made of 100% polyester with a food grade liner providing safe drink water quality. 19mm easily winds up for easy storage.

10 meter - 7725  
 15 meter - 7730

**RV FLOMASTER**

**Water Filler Helper**



Easy to use attachment to fill your fresh water through your water filler

Suitable for lockable and ac41 type water fillers

Easy click on hose attachment with shut off tap

**Water Filler Helper - 7506**

**RV FLOMASTER**

**Quick Release Water Inlet Elbow**



Helps prevent air locks  
 Fills water tank quicker  
 Suits: most caravan water fillers

Hose Connection: plastic male adaptor to fit standard water hoses  
 Pipe Diameter: 12m

**Quick Release Water Inlet Elbow - 7506**

**Lockable Water Filler**



Lockable water filler supplied with two keys. Flap door opens 180 degrees to be flush with RV wall. Available in black or white.

**White - 7732**

**Black - 7734**

**RV FLOMASTER**



1/2" air vent for fast fill  
 1-1/4" barb connections  
 Made from UV stabilized ABS  
**External: 151mm x 166mm**  
**Cut out: 108.5mm x 76.5mm**

**Gravity Water Inlet Hatch White - 7735**

**Gravity Water Inlet Hatch Black - 7735B**

**RV FLOMASTER**

**Gravity/City Water Inlet Hatch**



1/2" air vent for fast fill  
 1/2" MPT / 1-1/4" barb connections  
 Made from UV stabilized ABS  
**External: 193mm x 164.5mm**  
**Cut out: 119mm x 148mm**

**Water Inlet Hatch White - 7736**

**Water Inlet Hatch Black - 7736B**

**High Pressure Hot Cold Spray Port Water Outlet**



Hot/cold Spray Port is the only product on the market that places a high pressure, concentrated water spray within fast, easy reach.

**Hot Cold Spray Port Outlet - 7737**

**RV FLOMASTER**

**Deluxe Chrome Hand Pump**



Self priming  
 Easy installation  
 Full metal body with chrome finish  
 Easily replaces most brands of hand pumps  
 Specifications  
 Mounting hole is 32mm dia  
 240mm High (Pump Down)  
 360mm High (Pump UP)

**Deluxe Chrome Hand Pump - 7754**

**Gravity Water Inlet Hatch**



**Sink Hand Pump with Repair Kit**

Self Priming Function  
 Easily Delivers Water  
 Suitable for Drinking Water  
 Double Action increases Efficiency by supplying Water on Both Up and Down Strokes Operation  
**INCLUDES REPAIR KIT**



**Sink Hand Pump White - 7755**

**RV FLOMASTER**

**Hand Pump**



Popular self priming hand

**RC Flowmaster Hand Pump Black - 7757**

**RV Flowmaster Hand Pump White - 7758**



**Rocket Hand Pump**



**Rp800**  
 Piston action mechanism for high water flow and long term prime lock. .  
 Chrome-finish base and spout.

**Rocket Hand Pump - 7759**

**Breha Hand Pumps**



Manual Double action Pump. Available in black and white

**Breha Hand Pump White - 7760**

**Breha Hand Pump Black - 7762**

**RV  
FLOMASTER** Lockable Water Filler



- 3 Year Warranty
- Fits 25mm
- Anti Ageing
- Dustproof
- Lockable
- 8mm Air Breather



25mm Lockable Water Filler Black - 7785B  
25mm Lockable Water Filler - 7785W

**Australian RV Lockable  
Water Filler**

*White*



*Black*



Available in Black and white  
25mm

Lockable Water Filler White 25mm - 7787/25W  
Lockable Water Filler Black 25mm - 7787/25B



**Hot or Cold Single Faucet**

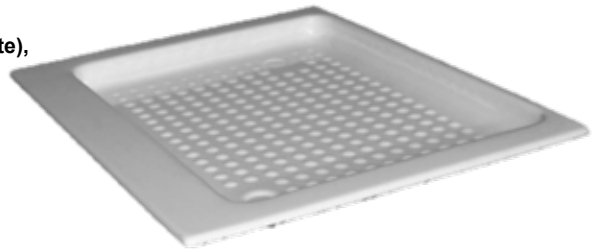
Available in left hand and right hand. Can be used for hot or cold water (red & blue buttons included). Dimensions: Height: 180mm (when fitted). Height when folded: 70mm (when fitted) Thread Size: 3/8 FBS WaterMark Certified

Hot or Cold Single Faucet Left - 7780  
Hot or Cold Single Faucet Right - 7785

**VT90 Shower Tray**

830x670x55

VT90 shower tray section only (white), suits VT90 bathroom module.



VT90 Shower Tray- 7790

**RV  
FLOMASTER** Shower On/Off  
5Mtr Hose



The set comes complete with 3 metres of reinforced PVC hose that has female chrome connection fittings and rubber washers.  
5 metre hose  
On/off lever action switch

Shower On/Off 5Mtr Hose - 7793H

**RV  
FLOMASTER** Shower On/Off  
3Mtr Hose



The set comes complete with 3 metres of reinforced PVC hose that has female chrome connection fittings and rubber washers.  
3 metre hose  
On/off lever action switch

Shower On/Off 3Mtr Hose - 7793M3

**RV  
FLOMASTER** Shower Head with  
Lever  
Control



On / off lever control  
shower head - white  
ABS Plastic

Shower Head with Lever Control- 7793M5

**Hot And Cold Basin Mixer Tap**



Chrome. 90mm centre  
basin mixing faucet.

**Hot And Cold Basin Mixer Tap - 7794  
Shower Mixer Tap**



80mm wall mount with hot and cold mixer.

Shower Mixer Tap - 7795

**Shower Kit**

**RV FLOMASTER**



Features heavy duty chrome finish. On/off trigger included in handle. Wall bracket to suit sold separately.

Shower set - 7796  
 Wall Bracket - 7797  
 Hose Only - 7798Hose  
 Head - 7798Head



For added security the unit includes a lockable door and key. Installation of this exterior shower box just requires an opening 280x155mm, and the external measurements are 345x210mm. This unit fits into a depth of 95mm including all fittings and the back of the unit. This model can be installed horizontally or vertically. Includes extra clip for hands free mounting of shower head!

**External Shower Box**



External Shower Box White - 7798W  
 External Shower Box Black - 7798B

**RV FLOMASTER**

**Stainless Steel Sink With Glass Lid**



Stainless steel flush mount sink comes complete with a fold down glass lid. Very stylish and smart-looking, the fold-down glass lid is very useful in providing added bench space when the sink is not being used.

High quality long-lasting stainless steel

- Includes:
- Folding faucet
- Waste outlet
- Sink plug
- Rubber seal
- Dimensions:
- 420 x 370 x 160 mm
- Cut-out Dimensions:
- 395 x 350 mm

Stainless Steel Sink With Glass Lid -7800

**RV FLOMASTER**

**Folding Faucet**



- Rotates 360° left and right, 180° up and down
- Hot and cold water regulation
- Convenient left and right hand adjustment
- Surface mirror polishing process, effective anti-corrosion
- Pure copper valve core, long life and more durable
- 304 stainless steel
- Not Watermarked

Appearance size  
 201 x 80 x 48mm  
 Aperture - 32mm

Folding Faucet - 7800F

**40mm Plug And Washer -  
Watermark**



**40mm Plug And Washer  
Watermark - 7801**

**Single Folding Faucet**



Quality chrome metal finish. When folded up only 35mm high

**Single Folding Faucet - 7804**

**DOMETIC Sink With Glass Lid**



**Stainless steel sink with glass lid.  
(Tap Sold Separately)**

Height: 145mm  
Width:420mm Depth:420mm

**Dometic Sink With Glass Lid - 7802  
Fold Down Tap - 7802T**

**Stainless Steel Basin**



**145 x 380 x 380mm  
Stainless Steel Basin - 7803**

**Waste Outlet With Plugs**



Straight



Right Angle

25mm t/s SMEV sinks only. 40mm hole.

**Straight - 7806  
Right Angle - 7807**



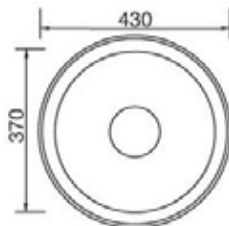
**Stainless Steel Basin**



Concealed fixing 145 x 380 x 280mm

**Stainless Steel Basin - 7809**

**Round Stainless Steel Basin**



**Round Stainless Steel Basin - 7810R**

**Caravan Sink Plug**



**Red - 1&1/8" t/s 25mm  
Rubber sink plug.**

**Red - 7813**

**Stainless Steel Sink**

With concealed fixing 145 x 650 x 380mm

**Stainless Steel Sink - 7808**

**Ceramic Basin**



**Ceramic Basin with Pop Up  
Waste and Adaptor  
31.5x41.5x19cm  
Modern round 32mm pop up  
plug & waste**

**IMPORTANT!** Please take the time to read this section as many customers purchase the incorrect sized waste.

A 40mm waste is mainly used for bath tubs A 32mm waste is mainly used for basins with a standard sized waste hole.

This item is marketed as a 32mm waste (metric name), it does not actually measure up to be 32mm. If you are purchasing this your basin, please double check the waste required. Generally, if the basin is to standard size the hole is about 46mm, you need a 32mm. If the hole is larger than 46mm, you need a 40mm. \*\*based on standard sizes\*\*



**Ceramic Basin - 7816C**

**THETFORD**



**Kitchen Centre**

Easy to clean and easy to install, this Kitchen Centre is a beautiful space saver too.  
Bowl dimensions (HxWxD):  
153 x 360 x 470mm  
Bowl capacity: 9.5L

**Product Contents:**  
Wash bowl  
Chopping board  
Drainer  
Removable lid rack  
Waste water drain (siphon).  
Available in stainless steel or black enamel.

**Complete Unit - 7817**  
**Complete Unit Black Enamel - 7817B**  
**Integrated Dish Rack - 7818**  
**Special Designed Wash Bowl - 7819** **Cutting Board - 7820**  
**Drainer - 7821**  
**Cutlery Box - 7822**

**THETFORD**

**Stainless Steel Argent Sink**



Chincilla glass, unbreakable, heat resistant, usable as a chopping board. Available in Left and Right hand Drainers

Weight 5.5kg  
470 x 630 x 1459mm

**Argent Sink Right Hand -7823**  
**Argent Sink Left Hand -7824**

**RV  
FLOMASTER**

**Stainless Steel Corner Basin**



The caravan corner sink is made of light weight stainless steel. It measures 33cm on each straight edge and app. 58cm on the front curve. Comes with a 50mm waste hole. Comes with waste and hose & sink plug.

**Stainless Steel Corner Basin - 7874**

**DOMETIC**

**Stainless Steel Sink And Drainer Combination**



Low profile bench top rubber seal  
Made from easy to clean and tough stainless steel 130 mmDx 400mmHx 650mmW

**Acrylic Rectangular Basin**



White. 333mm x 284mm x 130mm  
Acrylic Rectangular Basin - 7825

**Acrylic Rectangular  
Slimline Basin**



Compact white hand basin  
508mm wide X178mm deep

Acrylic Rectangular Slimline Basin - 7850

**Acrylic Corner Basin**



White. 279mm x 279mm  
Acrylic Corner Basin - 7873

**CAMICO Taste Pure Water  
Freshener**



Eliminate algae and slime buildup from drinking water tanks. Just one ounce helps remove bad smells and taste from 20 gallons of water.

Taste Pure Water Freshener - 0544



**Water Guard  
Quick Change  
Water Filtration Kit**



Package includes:  
1/4" Quick Connect Filter Head with built-in bracket. Disposable Quick Change Filter Drinking Water Tap. Mounting Screws Fittings

Water Guard Quick Change  
Water Filtration Kit - 7843  
Replacement Filter - 7844



**Wall Mount  
Shower Mixer Tap**



Requires space in the wall of 32mm  
Inlet hot - 1/2 inch female BSP  
Inlet cold - 1/2 inch female BSP  
Outlet mixed - 1/2 inch female BSP

Shower Mixer Tap - 7845



**Black Wall Mount  
Shower Mixer Tap**



Black Shower Mixer Tap - 7845B



**Drinking Water  
Freshener**

Neutralizes organic compounds, eliminating odours and restoring fresh taste to drinking water stored in your RV water tank. Non-toxic and 100% biodegradable.



Drinking Water Freshener - 0542

**CleanOxide 4gm Tablets**



Each Chlorine Dioxide tablet treats 100-400 litres of water.

One pack of 4 gram CleanOxide Tablets contains 8 Tablets.

CleanOxide 4gm Tablets - 0262



**RV Water Tank  
Cleaner**

A tasteless non toxic powder that will clean and deodorize your RV water tank. 200gm



Water Tank Cleaner - 0260

**Toilet Paper Holder**



Flushmount Toilet Roll Holder. Perfect for keeping your toilet roll dry.

Flush Mount - 7956



# RV FLOMASTER



**CARBON SEDIMENT FILTER SYSTEM**  
REMOVES CHLORINE, BAD TASTE, ODOUR & SEDIMENT

Includes 1x Carbon & 1x PP Sediment Water Filters

The reinforced polypropylene cap offers an optional pressure relief button on the inlet side to relieve pressure inside the housing when changing filter cartridges

Twin Water Filter Housing - 7840

## RV FLOMASTER

### Inline Carbon Water Filter

## RV FLOMASTER

### Inline Silver Carbon Water Filter

**ACTIVATED CARBON FILTER**  
REDUCES BAD TASTES & ODOURS



Easy to use filter which can be installed before the tank or inline. Ideal for Caravans, Motorhomes, Campers, Boats or wherever odour, chlorine, or chemical tastes need removing.

Inline Carbon Water Filter - 7846

**SILVER IMPREGNATED CARBON FILTER**  
REDUCES BAD TASTES, ODOURS & IMMOBILIZES BACTERIA



Easy to use filter which can be installed before the tank or inline. Ideal for Caravans, Motorhomes, Campers, Boats or wherever odour, chlorine, chemical fungus or bacteria tastes need removing.

Inline Silver Carbon Water Filter - 7847

## RV FLOMASTER

### PP Sediment Filter

## RV FLOMASTER

### Granular Carbon Water Filter

## RV FLOMASTER

### Granular Silver Carbon Water Filter

**POLYPROPYLENE SEDIMENT FILTER**  
REMOVES SAND, SILT, DIRT & RUST PARTICLES



Ideal to suit single and double filtration systems For caravans, motorhomes, campers and boats. For removal of sand, silt, dirt and rust particles.

PP Sediment Filter - 7865

**GRANULAR CARBON FILTER**  
REDUCES BAD TASTES, ODOURS & CHLORINE



Ideal to suit single and double filtration systems For caravans, motorhomes, campers and boats. For removal of chlorine, chemical tastes and odour.

Granular Carbon Water Filter - 7880

**GRANULAR SILVER CARBON FILTER**  
REMOVES CHLORINE, BAD TASTE & ODOURS



Ideal to suit single and double filtration systems For caravans, motorhomes, campers and boats. For removal of odour, chlorine, chemical fungus and immobilizes bacteria

Granular Silver Carbon Water Filter - 7880S

**Plastic Barbed Joiners**



13mm - 7900  
25mm - 7903

**Plastic Barbed Elbow**



13mm - 7906  
25mm - 7909

**Plastic Barbed Tee**



13mm - 7912  
25mm - 7914

**Plastic Threaded Directors**



13mm x 1/2" BSP - 7933  
25mm x 1/2" BSP - 7936

**Plastic Nut & Tail**



1"N x 13mmB - 7940  
1"N x 25mmB - 7942

**Plastic Barbed Reducer**



10mm - 13mm - 7945  
19mm - 25mm - 7946  
25mm - 32mm - 7948

**Plastic Inline Shut Off Valve**



Quick action shut off valve. 13mm - 7958  
25mm - 7960



**SHURflo**  
Pentair Water

**Plastic  
Straight Elbow**



Shurflo 10mm Fitting - Straight 7966  
Shurflo 13mm Fitting - Straight 7968



**SHURflo**  
Pentair Water

**Plastic Swivel  
Elbow**



Shurflo 10mm Fitting - Elbow 7965  
Shurflo 13mm Fitting - Elbow 7970



**SHURflo**  
Pentair Water

**1/2" Swivel  
Adaptor**



Shurflo 1/2" Swivel Adaptor- 7971



**SHURflo**  
Pentair Water

**Swivel Straight  
Adaptor**



Wingnut Swivel Fitting Adapter Nylon,  
1/2"-14 NPT Female x 1/2"-14 NPT  
Female

Swivel Straight Adaptor - 7971ASA

**PCV Junction 88 Deg F/F/F**



40mm Female & Female Plain Junction  
88 Deg is for sewer & vent use.

PCV Junction 88 Deg F/F/F - 8160  
**TF6R 3/8" x 5/16" Flare  
Reduction Brass Nut**



3/8" x 5/16" Flare Reduction Brass Nut - 8177



**220 Kitchen Mixer Tap**



220mm Spout - 7972



**Black Basin Mixer Short**



Black Basin Mixer Short - 7983



**150 Basin Mixer Tap**



150mm Spout - 7974



**3 Way Sink Mixer**

3 Way Sink Mixer Hot,Cold,Filtered Water 225mm Swivel Spout 35mm Ceramic Cartridge Pin Handle



3 Way Sink Mixer Chrome - 7984  
3 Way Sink Mixer Chrome - 7985



**100 Basin Mixer Tap**



100mm Spout - 7976



**Gooseneck Sink Mixer Swivel Spout**



**Square Basin Mixer Tap**

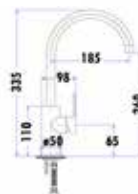


Square Basin Mixer Chrome  
Square Handle  
35mm Cartridge  
5 Star 6L/Min  
110mm H

Square Basin Mixer Tap - 7978



Swivel Spout 35mm Ceramic Cartridge Pin Handle



Gooseneck Sink Mixer Swivel Spout Black - 7985  
Gooseneck Sink Mixer Swivel Spout Chrome - 7986

**1/4" High Pressure LLDPE Tube**



Red: 12mm X 100m Roll - 8010  
 Blue: 12mm X 100m Roll - 8020  
 Black: 12mm X 100m Roll - 8030

**Reducing Straight**



12mm - 10mm - 8033

**Straight Plastic Joiner**



To suite 12mm tube x 1/2" MBSP - 8034  
 To suite 12mm tube x 3/8" MBSP - 8035

**Plastic Straight Joiner**



Equal straight t/s 12mm tube - 8036

**Plastic Barb**



3/8" barb to suit tube fitting.  
 Plastic Barb - 8038P

**Shut Off In Line Valve with Tap**



Shut Off In Line Valve with Tap - 8040

**Plastic Tee Adaptor**



Plastic Tee Adaptor - 8045

**Plastic Elbow Joiner**



Equal elbow t/s 12mm tube

Plastic Elbow Joiner - 8060

**Stem Adaptor Male**



12mm x 3/8" MBSP - 8062  
 12mm x 1/2" MBSP - 8065

**Plug**



12mm

Plug - 8070

**Swivel Elbow Male**



12mm x 3/8" MBSP - 8073  
 12mm x 1/2" MBSP - 8076

**John Guest**

**1/2" Metal Barb**



1/2" barb to suit tube fitting.

Metal Barb - 8038

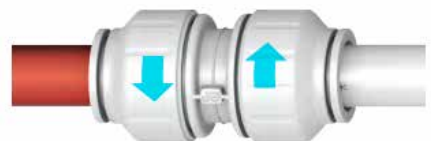
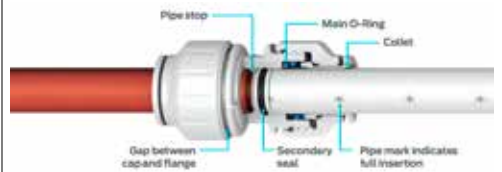
**How To Make A Connection – Speedfit Twist And Lock Fittings**

Speedfit Twist and Lock fittings have a unique grip-then-seal construction, made up of a collet with stainless steel teeth to grip the pipe and an O-Ring to provide a permanent leak proof seal.

When connecting Speedfit pipe to a Speedfit Twist and Lock fitting, be sure to always use a pipe insert.

The head of the insert has been designed for ease of insertion.

The additional benefit of Speedfit Twist and Lock fittings is that a twist of a screwcap locks the pipe in position and gives increased compression on the O-Ring for even greater security.



**Tap Adaptor Female**



12mm  
 12mm x 3.8"FBSP - 8079  
 12mm x 1/2"FBSP - 8080



12mm White  
 Watermarked



12mm  
 Grey

Pipe Insert - 8082  
 Watermarked Pipe Insert - 8083



12mm Blue  
 Watermarked



12mm Red

Locking Clip - 8087  
 Watermarked Locking Clip Blue - 8088

**Bulkhead**



12mm

Bulkhead - 8090

**Collet Covers**



12mm

Collet Covers - 8095

**Wingback Elbow**



15mm x 1/2"FBSP

Wingback Elbow - 8098

**Straight Adaptor For Suburban HWS Only**



12mm x 1/2" NPT - 8099

**John Guest**



**Tube Cutter**

Up to 12mm

Tube Cutter - 8100

**Reducing Elbow**



12mm - 8mm - 8110  
 12mm - 10mm - 8115



12mm

Stem Elbow - 8120

**Equal Divider**



12mm

Equal Divider - 8127

**12mm BPEX Tube**



12mm BPEX Tube 50M Roll - 8128

**Single Check Valve**



12mm

Single Check Valve - 8134

**Stem Reducer**



12mm

Watermarked Stem Reducer - 8144

**Tube Cutter**



Up to 28mm

Tube Cutter - 8140

**Equal Straight Connector**



12mm

Watermarked Equal Straight Connector - 8145

**Equal Elbow Connector**



12mm

Watermarked Equal Elbow Connector - 8146

**Equal Tee**



12mm

Watermarked Equal Tee - 8147

**Stem Elbow**



12mm

Watermarked Stem Elbow - 8148

**Straight Tap Connector**



12mm

Watermarked Straight Tap Connector - 8149

**Bent Tap Connector**



12mm

Watermarked Bent Tap Connector - 8150

*RV FLOMASTER* 12mm Push Fit Fitting - Tee



DM 12mm Push Fit Fitting - Tee -8178

*RV FLOMASTER* 12mm Elbow Push Fitting



DM-12mm Elbow Push Fitting - 8179

*RV FLOMASTER* 12mm Push Fit Fitting - Equal Joiner



DM 12mm Push Fit Fitting - Equal Joiner - 8180

*RV FLOMASTER* 12mmX1/2" BSP - Push Fit Fitting - Female Adaptor



DM - 12mmX1/2" BSP - Push Fit Fitting - Female Adaptor - 8181

*RV FLOMASTER* 12mm Stem Elbow



DM 12mm Stem Elbow - 8182

*RV FLOMASTER* 12mmX1/2" BSPT- Push Fit Fitting - Male Adaptor



DM -12mmX1/2" BSPT- Push Fit Fitting - Male Adaptor - 8183

*RV FLOMASTER* 12mm Push Fit X 1/2" BSP - Swivel Elbow



12mm Push Fit X 1/2" BSP - Swivel Elbow - 8184

*RV FLOMASTER* 12mm Push Fit Fitting - Equal Divider - Y



DM 12mm Push Fit Fitting - Equal Divider - Y- 8185

*RV FLOMASTER* 12mm Push Fit Check Valve - Non Return



DM 12mm Push Fit Check Valve - Non Return - 8186

*RV FLOMASTER* Shut Off Valve - 12mm Push Fit



DM Shut Off Valve - 12mm Push Fit - 8187

*RV FLOMASTER* 13mm Pump Hose x 60m Roll



13mm Pump Hose x 60m Roll - 8188

*RV FLOMASTER* 12mm Water Tube x 50m Roll



12mm Water Tube x 50m Roll - 8189

**Polypropylene Camlock Coupling Type A-25mm BSP**



**Polypropylene Camlock Coupling Type A-25mm BSP - 8191A**

**Polypropylene Camlock Coupling Type E-25mm BSP**



**Polypropylene Camlock Coupling Type E-25mm BSP - 8191E**

**Polypropylene Camlock Coupling Type C-40mm BSP**



**Polypropylene Camlock Coupling Type C-40mm BSP - 8192C**

**Polypropylene Camlock Coupling Type B-25mm BSP**



**Polypropylene Camlock Coupling Type B-25mm BSP - 8191B**

**Polypropylene Camlock Coupling Type F-25mm BSP**



**Polypropylene Camlock Coupling Type F-25mm BSP - 8191F**

**Polypropylene Camlock Coupling Type D-40mm BSP**



**Polypropylene Camlock Coupling Type D-40mm BSP - 8192D**

**Polypropylene Camlock Coupling Type C-25mm BSP**



**Polypropylene Camlock Coupling Type C-25mm BSP - 8191C**

**Polypropylene Camlock Coupling Type A-40mm BSP**



**Polypropylene Camlock Coupling Type A-40mm BSP - 8192A**

**Polypropylene Camlock Coupling Type E-40mm BSP**



**Polypropylene Camlock Coupling Type E-40mm BSP - 8192E**

**Polypropylene Camlock Coupling Type D-25mm BSP**



**Polypropylene Camlock Coupling Type D-25mm BSP - 8191D**

**Polypropylene Camlock Coupling Type B-40mm BSP**



**Polypropylene Camlock Coupling Type B-40mm BSP - 8192B**

**Polypropylene Camlock Coupling Type F-40mm BSP**



**Polypropylene Camlock Coupling Type F-40mm BSP - 8192F**

**Australian RV 62 Litre Tank**



170mm D x 990mm L x 500mm W  
Fittings sold separately

Australian RV 62 Ltr Tank - 8200

**Australian RV 95 Litre Tank**



200mm D x 1190mm L x 490mm W  
Fittings sold separately

Australian RV 95 Ltr Tank - 8205

**Jayco Water Tank 90Ltr**



90Ltr Jayco fresh water tank. Contains 1" inlet barbed tap and 1/2" outlet barb.

Specifications  
Dimensions (mm):  
1270 x 400 x 210

Jayco Water Tank 90Ltr - 8207

**52L Water Tank**



52 litre (11.5 gallon) capacity  
1010 x 330 x 180mm

ALKO Water Tank - 8210

**55L Roto Camper Tank**



55 litre (12 gallon) capacity Can be installed either vertically or horizontally. 760 x 330 x 230mm

Roto Camper Tank - 8215

**59 Litre Water Tank**



59 litre (13 gallon) capacity top quality water tank. Used by the majority of Australian caravan manufacturers. 840 x 480 x 180mm

59 Litre Water Tank - 8230

**82 Litre Water Tank**



82 litre (18 gallon) capacity.  
1220 x 490 x 190mm

82 Litre Water Tank - 8235

**64L Roto Round Cornered Water Tank**



64 litre (14 gallon) capacity.  
895 x 48 x 165mm

Roto Round Cornered Water Tank - 8240

**86L Roto Water Tank**



86L (19 gallon) capacity standard front link rear link.  
850 x 520 x 220mm

Roto Water Tank 86 Litre - 8250

**70L Roto Millard Water Tank**



70 litre (15 gallon) capacity.  
850 x 510 x 160mm

Roto Millard Water Tank - 8265

**Waste Water Carrier**



For waste water  
25 litre capacity  
Folding handle  
Cap has restraining strap to prevent loss

Built in tank handle  
SIZE: H550 X W335 X L250mm  
Waste Water Carrier - 8266



**Square 60 Litre Water Tank**



400 X 400 X 400mm

Blue - 8220  
 Black - 8222

**120 Litre Water Tank**



400 x 400 x 800mm

Black - 8245  
 Blue - 8270

Waste Holding Tanks made from polypropylene.

Roto-moulded in 5mm minimum thickness polypropylene, suitable for grey or black waste.

Nine plumbing connection ports all 1½" BSP threaded. The 132210 and 132212 macerator toilet pump (refer page 425) can be directly threaded into any of these connection ports, without any plumbing required.

Tanks are supplied with all ports blank except the top deck pump out port.

Simply cut out any required port with a 40mm hole saw and screw in 1½" BSP fitting.

A range of reducers are available to convert the 1½" BSP port to smaller BSP diameters.

**Galvanized Water Tank Stone Guard Cover**



To suit 110L Fresh & Grey Water Tank – 1280mm x 680mm x 220mm  
 To suit 95L Fresh & Grey Water Tank – 1280mm x 480mm x 240mm

Galvanized Water Tank Stone Guard Cover - 8321

**95 Litre Grey Water Tank With Fittings**



Fittings Sold Separately  
 25 mm barb inlet  
 40 mm cap  
 20 mm plug  
 3 mm outlet,  
 13 mm breather  
 Capacity (L): 95  
 Dimensions (mm): 1170 x 500 x 220

95 Litre Grey Water Tank - 8335  
 Fittings - 8335F

**110 Litre Grey Water Tank With Fittings**



Tank dimensions – 1170L x 640W x 170H  
 Tank features  
 – 40mm inlet and outlet threaded to suit standard fittings – 40mm PVC Knuckle bend fitting  
 – 2 x 13mm barbed threaded wing nuts  
 Fittings sold separately

110 Litre Grey Water Tank - 8336  
 Fittings - 8336F

**Water Tank Brackets**



520mm x 160mm  
Stainless Steel  
Suits 95L Tanks.  
Pair

**Water Tank Brackets Pair - 8330**



**Water Tank Cover**



Galvanized to suit 95L tank.

**Water Tank Cover - 8331**

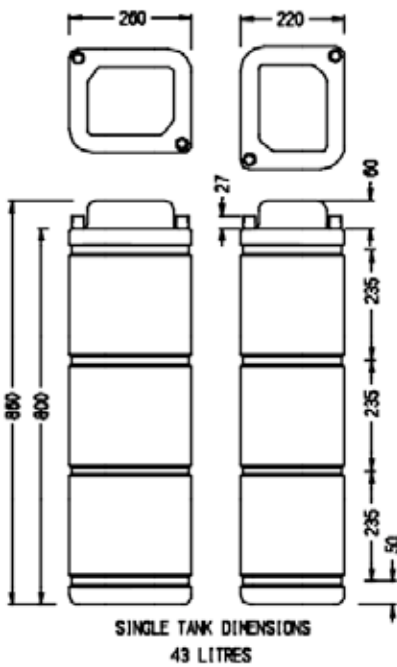
**Water Tank Brackets**

- 110L Tank Mounting Brackets - Each** 8323  
665mm W x 165mm H
- To Suit 43l Modular Water Tank, Each** 8341  
263mm W x 215mm H
- To Suit 50l Modular Water Tank, Each** 8342  
382mm W x 225mm H
- To Suit 62l/59l Fresh Water Tank, Each** 8343  
520mm W x 125mm H
- To Suit 70l Fresh Water Tank, Each** 8344  
530mm W x 150mm H
- To Suit 95l Grey Water Tank, Each** 8345  
502mm W x 220mm H
- To Suit 95l/82l Fresh Water Tank, Each** 8346  
515mm W x 190mm H

**43 & 50 Litre Modular Water Tank**

A 43l tank, and 86l tank or a 129l tank. You choose with this innovative new design. The 43 litre modular water tank is blow moulded from food contact approved high molecular weight high density polyethylene. This makes the tank a super tough performer.

The tank is moulded with two integral 20mm (3/4 bsp) threaded closures that can accept a wide variety of standard fixtures and fittings. Using these standard fittings the tank can be networked together to provide almost limitless water storage options for your vehicle.



50L Modular Water Tank - 8339  
 43L Modular Water Tank - 8340

