



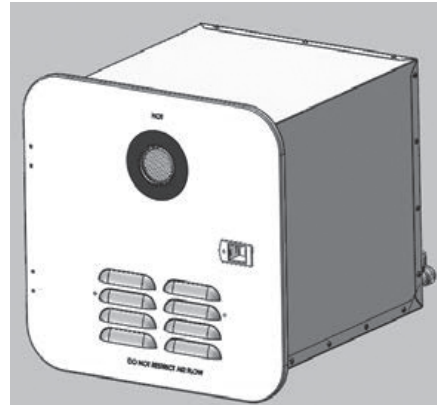
GIRARD PRODUCTS. LLC.

## Owner's Manual

### Model: GSWH-2

#### Features:

- Demand Tankless Water Heater
- LP Gas / Induced Draft
- Constant Outlet Temperature
- Linear Gas Control Valve
- Electronic Gas Modulation
- Microprocessor Controls



**WARNING: If the information in these instructions is not followed exactly, a fire or explosion may result causing property damage, personal injury or death.**

- Do not store or use gasoline or other flammable vapors and liquids in the vicinity of this or any other appliance.
- WHAT TO DO IF YOU SMELL GAS:
  - Evacuate all persons from the vehicle.
  - Shut off the gas supply at the gas container or source.
  - Do not touch an electrical switch, or use any phone or radio in the vehicle.
  - Do not start the vehicle's engine or electric generator
  - Contact the nearest gas supplier or qualified service technician for repairs.
  - If you cannot reach a gas supplier or qualified service technician, contact the nearest fire department.
  - Do not turn on the gas supply until the gas leak(s) has been repaired.
- Installation and service must be performed by a qualified installer, service agency or the gas supplier.

**EFFECTIVE 01/2017**

Girard Products LLC, 1361 Calle Avanzado, San Clemente CA 92673 USA

## TANKLESS WATER HEATER - Model GSWH-2

- **Installation**
- **Operation**
- **Maintenance and Service**

---

### Installation

This water heater is certified for installation in Recreational Vehicles (RV's) and is not for use in Marine or Space Heating Applications.



**Intertek**  
5001257

Complies with the requirements of  
ANSI Z21.10.3-2014 and CSA 4.3-2014.

#### **CAUTION:**

**Read and Follow all the Safety Rules and Instructions before operating this Appliance.**

#### **Installer/Customer Responsibilities**

- Installation and Service must be performed by a Girard Products recommended installer, service agency or gas supplier.
- Do not attempt installation as a do-it-yourself project.
- Read and observe all safety rules.
- Shut off gas appliances and their pilot lights (if any) when refueling.
- Keep these instructions and warranty for future reference.
- Follow all applicable State and Local Codes.
- Follow a regular schedule of maintenance as outlined in this manual.



**This is the safety alert symbol used in this manual. It is used to alert you to potential hazards of personal injury or even Death.**



**WARNING – FIRE OR EXPLOSION**

WARNING: These instructions must be followed exactly, or a fire or explosion may result causing property damage, personal injury or death.

Do not store or use gasoline or other flammable vapors and liquids in the vicinity of this or any other appliance.

**FOR YOUR SAFETY --- WHAT TO DO IF YOU SMELL GAS**

- DO NOT attempt to light any appliance.
- DO NOT touch any electrical switch, or use any phone or radio in the vehicle.
- DO NOT start the vehicle’s engine or electric generator.
- Evacuate all persons from the vehicle.
- Shut off the gas supply at the gas container or source.
- Contact the nearest certified service technician or gas supplier for repairs.
- If you cannot reach a certified service technician or gas supplier, contact the nearest fire department.
- DO NOT turn on the gas supply until the gas leak(s) has been repaired.
- Installation and Service must be performed by a Girard Products, LLC recommended installer, service agency or gas supplier.

**The table below summarizes the main performance specifications of the Model GSWH-2**

BTU/HR	42,000 BTU
Fuel	Propane (LP Gas)
Inlet Pressure	11” WCI Min to 14” WCI Max
Manifold Pressure	1.5” – 7.8” WCI
Power Input	12VDC < 3 amp
Water Operating Pressure	125 PSI Max
Dimensions	Width: 12.5” Height: 12.5” Depth 15.5”
Shipping Weight	22 lbs.
ECO	Max Temperature 140° (F)



## **CRITICAL INSTALLATION WARNINGS**

- Installation and Service must be performed by a Girard Products, LLC recommended installer, service agency or gas supplier.
- This product is not designed for Do-it-Yourself Installation.
- Install ONLY in recreational vehicles (RV's). RV's are recreation vehicles designed as temporary living quarters for use as recreation, camping, or travel having their own power or towed by another vehicle. This water heater is NOT designed for Marine or Space Heating applications.
- All combustion air must be supplied from the outside of the RV, and all products of combustion must be vented to the outside of the RV.
- DO NOT vent water heater with a venting system serving another appliance or to an outside enclosed porch area.
- DO NOT modify water heater in any way. This is dangerous and will void the warranty.
- DO NOT alter water heater for a positive grounding system.
- DO NOT HI-POT water heater unless the electronic ignition control (circuit board) has been turned 'OFF' (Power switch is in "Off" position)
- DO NOT use battery charger to supply power to water heater even when testing.
- Protect building materials from flue gas exhaust.
- Install the water heater on an exterior wall, with access door opening to the outdoors.
- DO NOT lift the water heater or carry it by holding the exhaust tube.

**USA AND CANADA - FOLLOW ALL APPLICABLE STATE AND LOCAL CODES**

**IN THE ABSENCE OF LOCAL CODES OR REGULATIONS REFER TO CURRENT STANDARDS:**

**The installation must conform to one or more of the following, as applicable:**

1. Local codes or, in the absence of local codes, the National Fuel Gas Code, ANSI Z223.1/NFPA 54 and/or CSA B149.1, Natural Gas and Propane Installation Code.
2. Local codes or, in the absence of local codes, Recreational Vehicles, NFPA 1192 and/or CAN/CSA-Z240 RV Series.



**WARNING! CAUTION!**

- Improper installation, adjustment, alteration, service or maintenance can cause property damage, personal injury or loss of life.
- Installation and Service must be performed by a Girard Products LLC recommended installer, service agency or gas supplier.

The following instructions apply to the most common type of installation for Girard Products GSWH-2 Water Heater. Consult with Girard Products Technical Support or Engineering department if you have any additional questions regarding your specific installation/application.



**IMPORTANT!**

For proper operation this water heater requires a minimum water flow of .80 Gallon per Minute (gpm) for each Hot Water faucet it supplies.

## Select a Suitable Location

The water heater is designed to be installed on a floor or a fixed platform with access to water, LP gas and a 12VDC electrical connection from the back. It is recommended that the GSWH-2 be located as near the center of the coach as possible as possible.

- **DO NOT INSTALL IN AN AREA WHERE ONE OR BOTH THE INLET AIR VENT AND FLUE VENT CAN BE COVERED BY A DOOR OR ACCESS PANEL WHEN OPENED.**
- **DO NOT INSTALL WHERE THE FLUE VENT IS CLOSER THAN ONE FOOT IN ALL DIRECTIONS FROM ANY WINDOW OR OPENING INTO THE VEHICLE.**
- **DO NOT INSTALL THE WATER HEATER OR ANY OTHER APPLIANCE WHERE IT CAN VENT INTO AN AREA COVERED BY AN AWNING, CANOPY OR ANY OTHER ENCLOSURE.**

(Note: The water heater can be installed under an RV roll-out/retractable type awning providing the awning does not have an enclosure such as a screen room and/or some type of “walled enclosure”.)

## Site Preparation

To install on carpeted area you must install a metal or wood panel under the water heater that extends at least 3 inches beyond the width and depth of the unit. If water leakage can result in damage to the adjacent area, install a drain pan that can be drained to outside of the vehicle, under the water heater.

Verify that a clearance of 1 inch will remain after installation between the top surface of the water heater and any combustible material. Zero inch clearance is acceptable for the sides.

Make sure that the front edge of the opening is surrounded by a solid frame to firmly anchor the water heater; if needed, build an appropriate frame using 2” X 2” elements. (Figure 1)

The rough opening for the GSWH-2 should be 13” X 13” with right angle corners. The exterior wall opening must be the same dimensions with no radius corners.

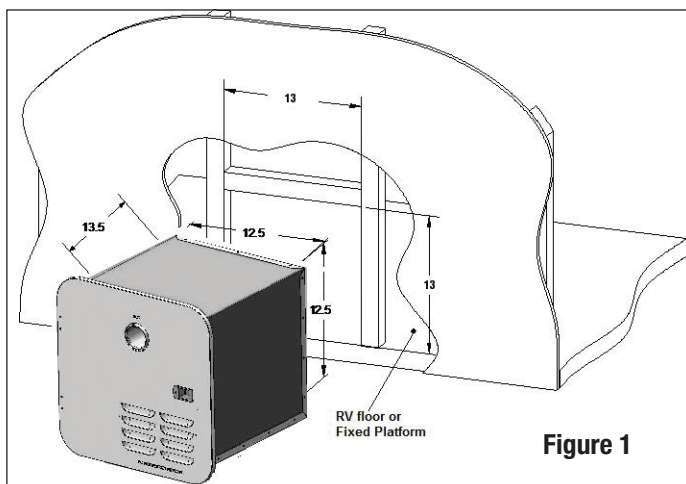


Figure 1

Ensure that electrical water and gas connections from the vehicle are in place for installing the unit.

Allow sufficient length and flexibility in the electrical, water and gas lines to reach the connections while the unit is partially inserted into the opening.

## Water Heater Installation

Remove the water heater from the box by grasping the metal sides of the housing and lifting upward until it is free of the box.

Partially insert the water heater into the opening and connect both Hot and Cold water lines to the appropriate ½” NPT fittings. Connections can be made using PEX swivel nut adaptors with NPT straight threads and a cone seal. The PEX swivel nuts require only hand tightening.



### PRODUCT DAMAGE!

- **Excessive torque will damage the Cold Water and Hot Water Inlets. DO NOT over tighten.**
- **Use two wrenches to tighten the LP Gas compression fitting to avoid damaging the unit.**

Connect the gas to the 3/8” LP Gas compression fitting on the back of the Water Heater (Figure 2).

**Use two wrenches to tighten the compression fitting to avoid damaging the unit.**

**Use additional caulking if needed to complete a permanent seal at the gas line connection.**

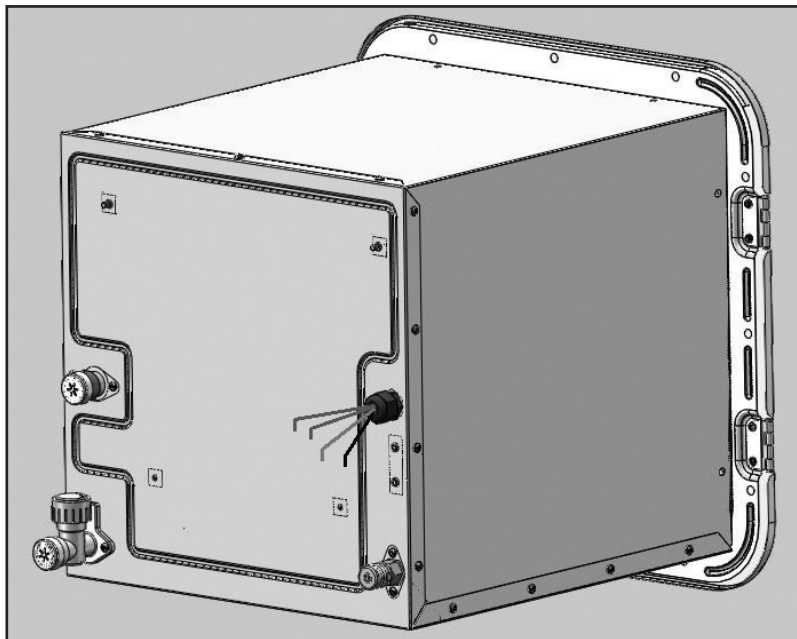


Figure 2

## A: Installation of Water Heater with Separate Flange

**Note: For installation of water heater with Integral Flange proceed to section B:**

1. Complete the “skin” application to the vehicle’s outer wall.
2. Position water heater housing into the frame opening with the front edge aligned evenly to the exterior wall (See Figure 3).
- 3. To prevent water and air leaks apply sufficient caulking around the entire frame opening and the exterior edge of the water heater housing. Use a suitable caulking material that will result in a permanent seal between the water heater and the vehicle’s frame.**
4. Insert the door flange into the water heater housing and press the flange firmly against the sidewall.
5. When ready to proceed, **apply additional caulking or butyl tape to the back of the door flange that will contact the RV sidewall around perimeter of the opening.**
6. To ensure proper installation and alignment of the door: Align each hole along the inside frame of the flange with the corresponding holes in the water heater housing and secure to the frame using No. 8 -  $\frac{3}{4}$ ” flat head screws using two screws per side.
7. Secure the flange to the vehicle using No. 8 -  $\frac{3}{4}$ ” flat head screws through each hole along the perimeter. **Verify that a tight seal exists between the side wall and the flange. If not, repeat above steps.**
8. Remove any excess caulking and clean all surfaces.

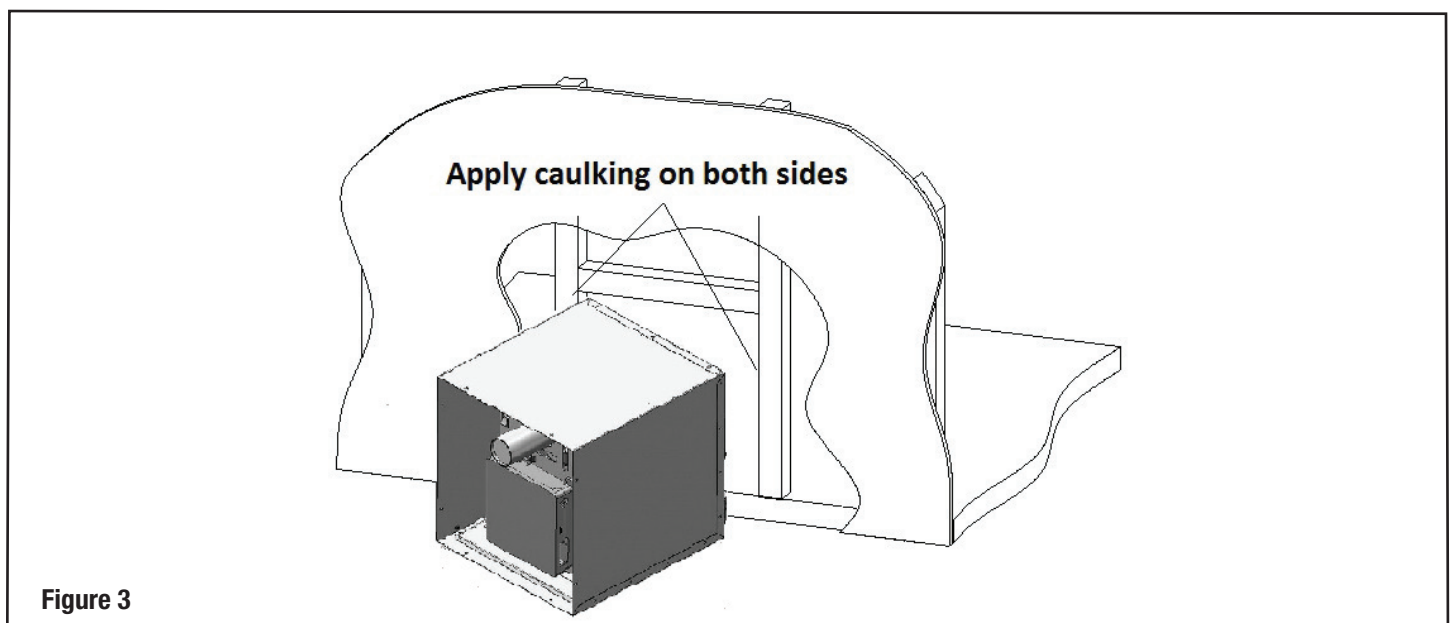
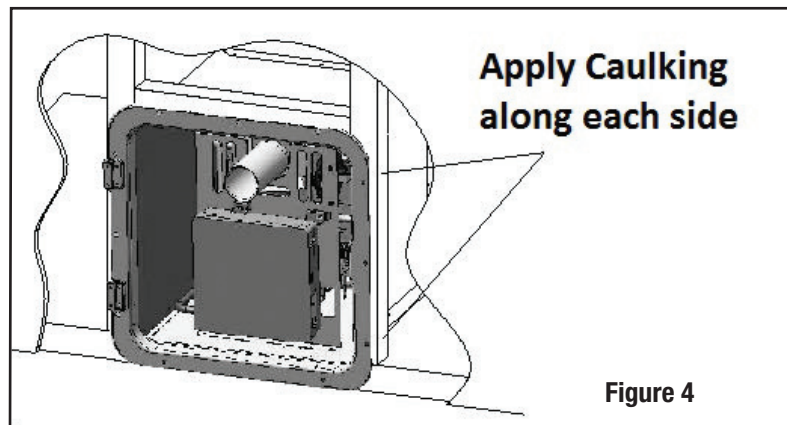


Figure 3



## B: Installation of Water Heater with Integral Flange

1. Protect the side wall with masking tape or other suitable means to insure that it is not damaged while installing the water heater.
2. Position the water heater so that the front edge extends from the opening approximately 2" and insert the door flange into the housing.
3. **Permanently attach the flange to the housing by aligning holes and using stainless steel screws or stainless steel rivets with recommended grip range of .188" to .129" and with a hole-size of .129" to .133".**
4. **To prevent water leaks apply a good amount of caulking or butyl tape on the sidewall and bottom of the opening that will be covered by the flange.**
5. Slide the water heater in place into the opening and **press the door flange against the sidewall.**
6. Secure water heater housing unit to the vehicle using No. 8 -  $\frac{3}{4}$ " flat head screws through each hole in the door flange (Figure 4 and Figure 7). **Verify that a tight seal exists between the side wall and the flange. If not, repeat above steps.**



## C: Installation of 12VDC Power and User Control Panel (UCP)

1. SET THE WATER HEATER POWER SWITCH TO THE "OFF" POSITION and connect the power supply wires (on rear of water heater – Red & Black wire). Red wire to a 12VDC circuit from the DC panel protected with an interior power switch (not provided) and a 10 amp fuse. Connect Black wire to a ground connection on the panel.  
NOTE - The Red wire is positive (+) and the Black wire is negative (-).



Figure 5

2. Determine location for the User Control Panel (UCP – Figure 5) inside the RV. Drill a  $\frac{3}{4}$ " hole and then run 2 – 18 gauge wires from the rear of water heater to the  $\frac{3}{4}$ " hole (**maximum wire length is 16' or 5M**). Connect the 2 wires to the User Control Panel 2 wires and to the 2 blue wires on rear of water heater. Note – UCP wires can be connected to either color/lead wire.

**CAUTION - Do not connect UCP wires to the power wires (BLACK or RED) on rear of water heater.**

**INSTALLATION NOTE – The micro processor is always on. It draws apprximately .20 AMPs so it is advisable to turn OFF the 12V power when in storage or dry camping. This can be accomplished by installing or utilizing an interior power switch (not provided) or turning the Water Heater circuit OFF.**



**WARNING!**

DO NOT use matches, candles or other sources of ignition when checking for gas leaks.

## **D: Functional Tests**

1. Verify the power switch on water heater is in the "OFF" position (located inside water heater compartment) or the interior Water Heater Power Switch (if installed).
2. Turn on the water supply to the unit.
3. Open and then close the HOT & COLD water faucets in the vehicle to fill the pipes with water. If needed, purge air out of all water lines including washers, toilet and outside faucets. Close the faucets when the water is flowing smoothly and verify that there are no leaks at the connections and within the water heater.
4. Confirm that there is a "steady" water flow (not pulsating). If pulsating have the water pump settings adjusted.
5. Turn on the gas supply and check all gas connections for leaks including exterior gas connection and gas connection to the gas valve inside the Water Heater compartment.
6. Turn the power switch to the "ON" position and verify the UCP is illuminated (push RED power button on the UCP to illuminate). It will show the Hot Water temperature setting.
7. The recommended and factory setting is 115 degrees (F) or 46 degrees (C).
8. Open a Hot water faucet and verify that the unit ignites and supplies hot water at the faucet.
9. The UCP display will show the following icons: fan, flame and water temperature. See page Figure 5 for icon identifications.
10. WHILE UNIT IS RUNNING, verify that there are no leaks at the external gas connection and in proximity of the Gas Control within the unit.

## E: Door Installation



### WARNING!

It is necessary to use only an applicable GSWH-2 Girard Water Heater Door Kit with a Girard GSWH-2 Water Heater. Use of any other brand of water heater door will affect the operation and performance of the Girard Water Heater and may cause a hazardous condition.

The door of the GSWH-2 water heater is hinged on the left side of the mounting flange and swings open from the right (See Figure 6 below). The latch must secure the door closed at all time during operation.

**If necessary for service, the door can be removed by removing hinge screws. Keep screws in a secure place for remounting the door.** Optional - To further secure the door, you may add a screw in the hole provided in the bottom.

To further secure the door, add a screw in the hole provided in the bottom.

If necessary for service, the door can be removed by extracting the pins that retain the hinges. Take care not to lose the pins to replace the door when finished.

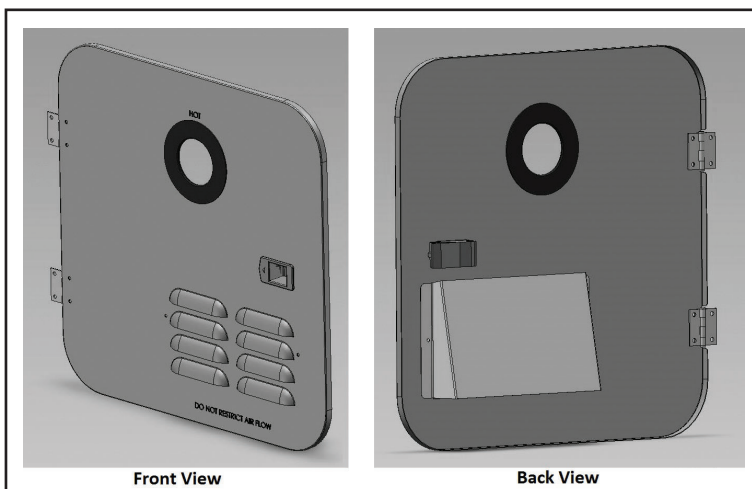


Figure 6

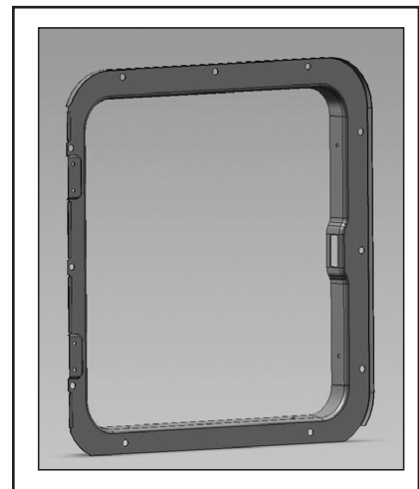


Figure 7



### WARNING – CAUTION!

- The appliance and its individual shut-off valve must be disconnected from the gas supply piping system during any pressure testing of that system at test pressures in excess of 1/2psi.
- The appliance and its gas connection must be leak tested before placing the appliance in operation.
- If an external electrical source is utilized, the appliance, when installed, must be electrically grounded in accordance with local codes or, in the absence of local codes, with the National Electrical Code, ANSI/NFPA 70 and/or the CSA C22.1, Canadian Electrical Code.

**This completes the installation instructions of the Model GSWH-2 water heater.**

# Operation



## CONSUMER SAFETY WARNING!

- Use with LP gas only.
- Shut off all gas appliances and pilot lights when refueling.
- Turn gas OFF at the LP tank when vehicle is in motion. This disables all gas appliances and pilot lights. Gas appliances must never be operated while vehicle is in motion.
- LP tanks must be filled by a qualified gas supplier only.
- Should overheating occur, turn gas OFF at the LP tank and turn the operating switch to the OFF position.

## A: Understanding How the Girard Tankless Water System Works

In a conventional installation the Girard Tankless Water Heater is connected to:

1. The RV's cold water system deriving its water input from a pressurized (45 psi or greater) source such as a shore connection or an RV water pump connected to the RV's fresh water storage tank. NOTE - A steady water flow (no pulsating) will ensure a consistent temperature and performance.
2. The RV's hot water system (i.e. faucets and shower).
3. The RV's LP Gas system capable of supplying its rated BTU requirement. The Girard Products model GSWH-2 introduces a new generation of smart tankless water heater designed specifically for Recreation Vehicles (RV). Its configuration and size are consistent with the tank based RV water heaters currently in use and is designed for OEM's and after- market use by the RV industry.
4. The RV's 12VDC electrical power.

The Water Heater's microprocessor based controller (Control Module) receives from electronic sensors the data it needs to decide each step of the Model GSWH-2 operation.

1. Display on the User Control Panel (UCP) each phase of the Water Heater's operation and receive from the user the operation parameters desired:
  - ON/OFF to activate
  - Desired outlet temperature
2. Verify that all components are in working order and that it is safe to start the unit upon sensing the minimum amount of water flow required (.90 Ga/min)

3. Verify that the blower is operating and supplies the air flow needed to maintain clean combustion.
4. Open the gas control and light the burner according to the procedure required by the safety standard.
5. Confirm gas pressure is set to the proper pressure.
6. Continue operation as long as:
  - The water flow is above the minimum required
  - The presence of flame is verified
  - No unsafe condition develops
7. Provide the user with a visual indication of the operating conditions turning on the appropriate icon and displaying the current outlet temperature:
  - Fan icon on: Blower operating
  - Flame icon on: Burner is lit and flamed is detected
  - Shower Head on: Water is flowing
8. The button marked “C/F” determines if the temperature is displayed in °F or °C degrees
9. Whenever the “UP” or “Down” are pressed the display shows the set temperature.
10. If an unsafe condition is encountered and the unit shuts off, the display will show an Error Code corresponding to the actual condition that caused the unsafe condition.

See **Troubleshooting** section for a list of all error codes.

## B. Water Control Valve Flow Optimization (optional)

The Water Control Valve of the GSWH-2 provides good control of the outlet temperature within a wide range of inlet water temperatures as are normally encountered in Recreational Vehicles. The unit is shipped with the Water Control Valve set at fully open/maximum flow. If desired, the operating flow can be manually adjusted. It is located on the rear of the water heater.

In case of operation with extreme cold inlet water temperatures (approximately less than 45°F) the performance of the Water Control Valve can be optimized by adjusting the flow as shown in Figure 8 below.

NOTE - This also can be accomplished by adjusting the hot water flow at the faucet.

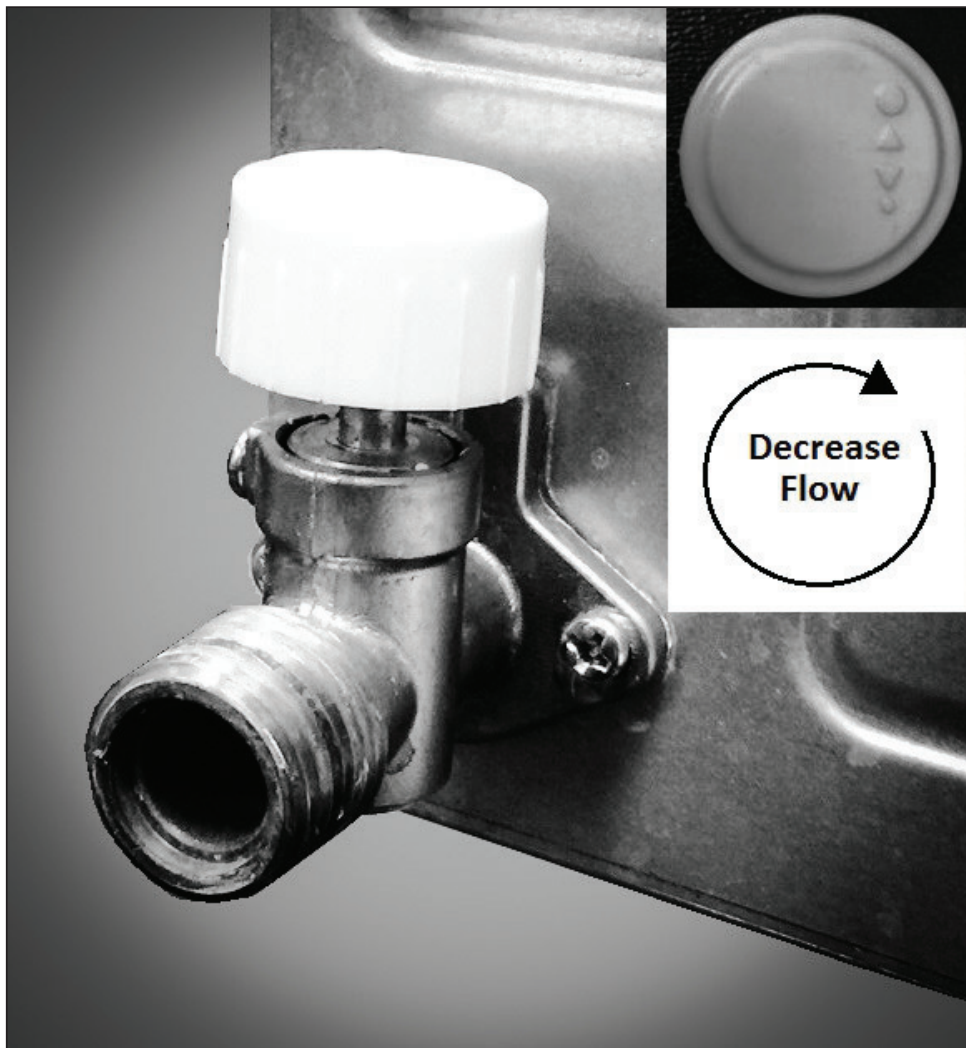


Figure 8

## C: Operating Procedures

The Model GSWH-2 can be operated from the User Control Panel (Figure 9) which includes the Power ON/OFF switch.



Figure 9

### The model GSWH-2 can be operated in two different ways:

1. Operate like a Tank Water Heater. The user turns on the hot water and add cold water to achieve the desired Hot water temperature.
2. Select the desired temperature by adjusting temperature setting up (^) or down (v). The UCP settings are from 95° (F) to 124° (F). The unit will maintain the set temperature.

Note – The recommended and Factory setting is 115° (F) or 46° (C).

### For normal operation:

1. Turn on the power. The panel will light and will display the pre-set temperature.
2. Press the temperature selection arrow (up or down) to desired temperature.
3. Turn on the hot water faucet.



### **WARNING!**

It is dangerous to operate a Tankless Water Heater unattended. This may occur accidentally if a sufficient leak develops in the water system or if a faucet is left open. For this reason The GSWH-2 will automatically turn off after operating for 20 minutes and displays Error “En” on the Display.

## D: Winter Use

### Winterization

Freezing of the water heater and its plumbing components will result in severe damage not covered by warranty. For this reason it is advisable to follow the recommendations below if the unit is to be stored in a freezing environment or for long periods of time. At the start of the winter season or before traveling to a location where freezing conditions are likely, the unit must be winterized. The very small amount of water present in the heat exchanger DOES NOT require the installation of a bypass kit. Winterization can be accomplished using one of the two common methods of winterization used for RV water systems:

- Compressed Air method: Drain all water from the system opening one tap at a time and using compressed air to purge all remaining water.
- Anti-freeze method: Follow the recommendations of the Recreational Vehicle manufacturer and fill the system with a non-toxic anti-freeze. Make sure that the anti-freeze flows from each tap to complete the process.

### Antifreeze Device

If you wish to operate the water heater in potentially freezing conditions the model GSWH-2 has a built in thermostat that will start the burner whenever the temperature of the Heat Exchanger falls below 38°F and will automatically shut off when it senses a temperature in excess of 58 ° F

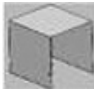

































#### **IMPORTANT NOTICE**

To allow the Antifreeze Device to operate you must have sufficient LP Gas in the tank and 12VDC power available and you must leave the unit powered with the ON / OFF switch in the ON position at all times that freezing may occur. It will not protect the entire RV's plumbing system. The RV must be designed for winter use/freezing conditions.












## E: Replacement Parts: Components

#	Description	Photo	Qty
1	Shell Top		1
2	Proportional Valve (Gas Valve)		1
3	Valve Bracket		1
4	Power switch & Fuse holder Assy		1
5	External Fuse10A		1
6	Controller Bracket		1
7	Air Pressure Switch		1
8	Control Box (Microprocessor)		1
9	User Control Panel (UPC) Remote Cont.		1
10	Water Pipe Screw Cover		1
11	O-Ring		1
12	Inlet-Valve Gas Train		1
13	Valve-Burner Gas Train		1
14	Igniter		1
15	Burner		1
16	Shell Bottom		1

#	Description	Photo	Qty
17	Pressure Relief Valve Direction Tube		1
18	Pressure Relief Valve		1
19	Water Pipe Assembly		1
20	Flow Switch Inlet		1
21	Filter Screen Inlet		1
22	Dust Cap: Inlet/Outlet		1
23	Flow Switch Inlet Knob		1
24	Water Flow Sensor		1
25	Rubber Gasket		1
26	Temperature Probe for Water Inlet		1
27	Inlet Thermostat (Antifreeze)		1
28	Temperature Probe for Water Outlet		1
29	Heater Exchanger		1
30	(ECO) T-Switch		1
31	Strain Relief		1
32	Blow Motor Assembly		1

## E: Replacement Parts: Door Kit

#	Description	Photo	Qty
1	2GWHHD Door Kit (White) New install/Sub 6 gal		1
2	2GHWDB Door Kit (Black) New install/Sub 6 gal		1
3	2GWDA6 Door Kit (White) Atwood 6 gal		1
4	2GWHDas10 Door Kit (White) Sub/Atwood 10 gal		1
5	2GWD Door Only (White)		1
6	2GWHDB Door Only (Black)		1
7	2GWHHD Flange Only		1
8	2GWHDA6 Door Only (White)		1

#	Description	Photo	Qty
9	2GWHDA6 Flange Only		1
10	2GWHDas10 Door Only (White)		1
11	2GWHDas10 Flange Only		1
12	Door Hinge		1
13a	Vent Silicone Ring (White)		1
13b	Vent Silicone Ring (Black)		1
14a	Door Latch Lock (White)		1
14b	Door Latch Lock (Black)		1
15	Door Latch Spring		1

## F: Troubleshooting

**If a failure were to occur in the GSWH-2 it will be detected by the Controller Module and the specific cause will be indicated by the Error Code on the User Control Panel display.**

### **E0: Water Outlet Temperature Probe failure.**

An open circuit or short circuit condition is detected: This could be due to an internal failure in the Temperature Probe or to a faulty connection (Wires)

### **E1: Ignition failure or accidental flame off during ignition.**

If the established flame signal is lost while the burner is operating, the control will respond within 0.8 seconds, the gas valve is de-energized and a new inter-purge and ignition routine will begin. If the burner does not light, the control will de-energize the gas valve and will make one more attempt to relight the burner. If the burner does not relight after the two trials the control will go into LOCKOUT and the unit will need to be turned off before it can operate again. (Turn hot water faucet OFF and back ON to re-set) This could occur for a number of reasons.

**The most common are:**

- Lack of Gas in the tank
- Faulty Igniter
- Faulty Igniter connections
- Improper distance between the Igniter and the Burner
- Accumulated dirt or obstruction between
- Igniter and Burner
- Low Gas Inlet pressure

**E2: Flame sensing interrupted during normal operation. Buzzer will sound.**

Possible causes are the same as indicated by Error E1 if any of these conditions occur during normal operation. A lock out will occur also in these conditions.

**E3: ECO open before ignition or during normal operation.**

This occurs if the ECO thermostat opens. Under normal circumstances this is due to the Temperature of the water at the Outlet exceeds 140° F (60°C). The cause must be identified and removed before restarting the unit.

**E4: Water Inlet Temperature Probe probe failure.**

An open circuit or short circuit condition is detected: This could be due to an internal failure in the Temperature Probe or to a faulty connection (Wires)

**E5: Blower motor failure.**

No motor signal was detected before ignition or during normal operation. This could be also caused by a wiring fault in the motor connections.

**E6: Over Temperature.**

Outlet Water Temperature has exceeded 140°F (60°C) for 3 sec.

**E7: Linear valve failure:**

The Controller Module detects an open circuit in the Linear Valve control circuit before ignition or during normal operation indicating a faulty Valve.

**E8: Air pressure switch:**

Air pressure switch not detected for 7 sec. before ignition or is cut-off for 2 sec. during normal operation. This failure may be caused by a faulty motor or a blockage in the air supply or in the exhaust system.

**E9: Flame sensor:**

Flame is sensed before ignition. Buzzer will sound. This is displayed when a short is detected in the flame sensor.

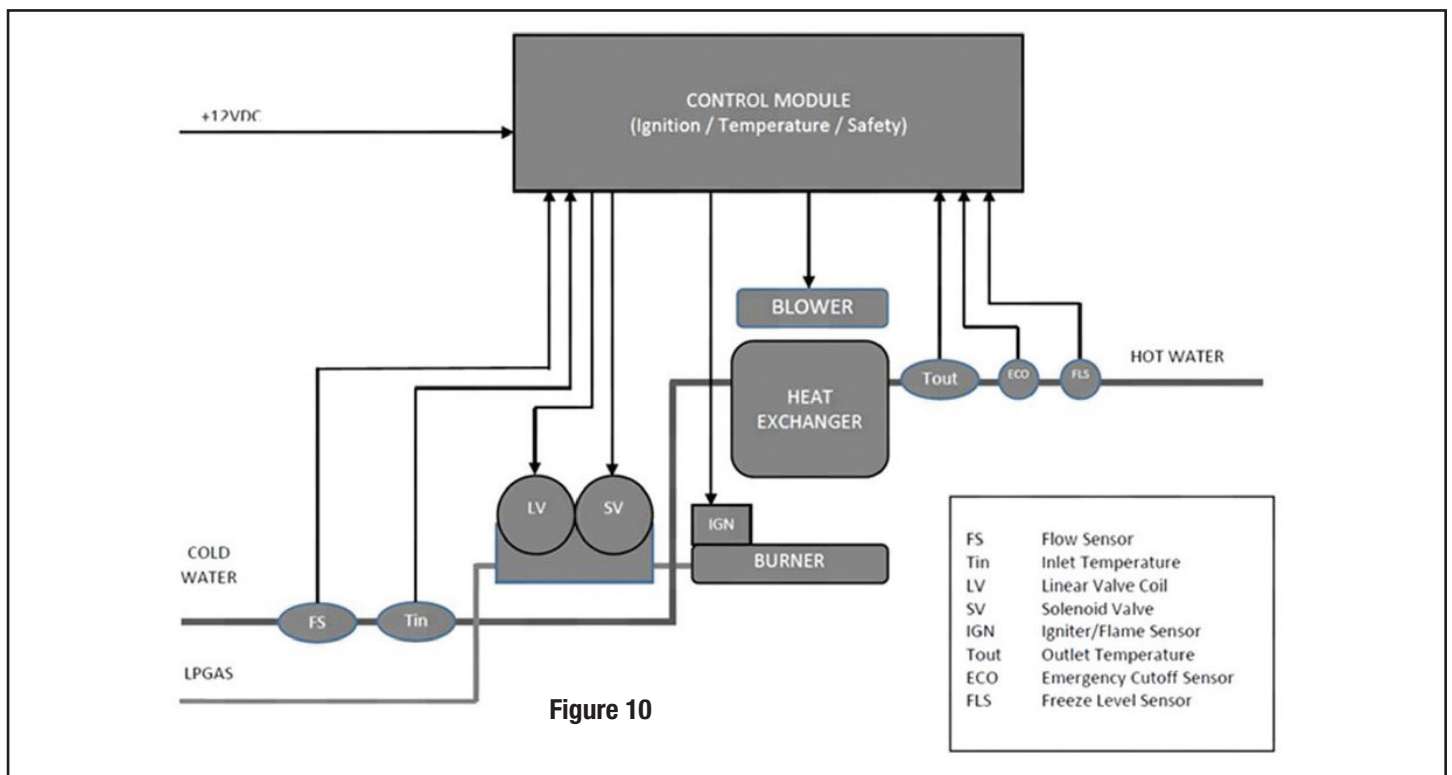
**En: System Timer:**

Water Heater ran longer than 20 min.

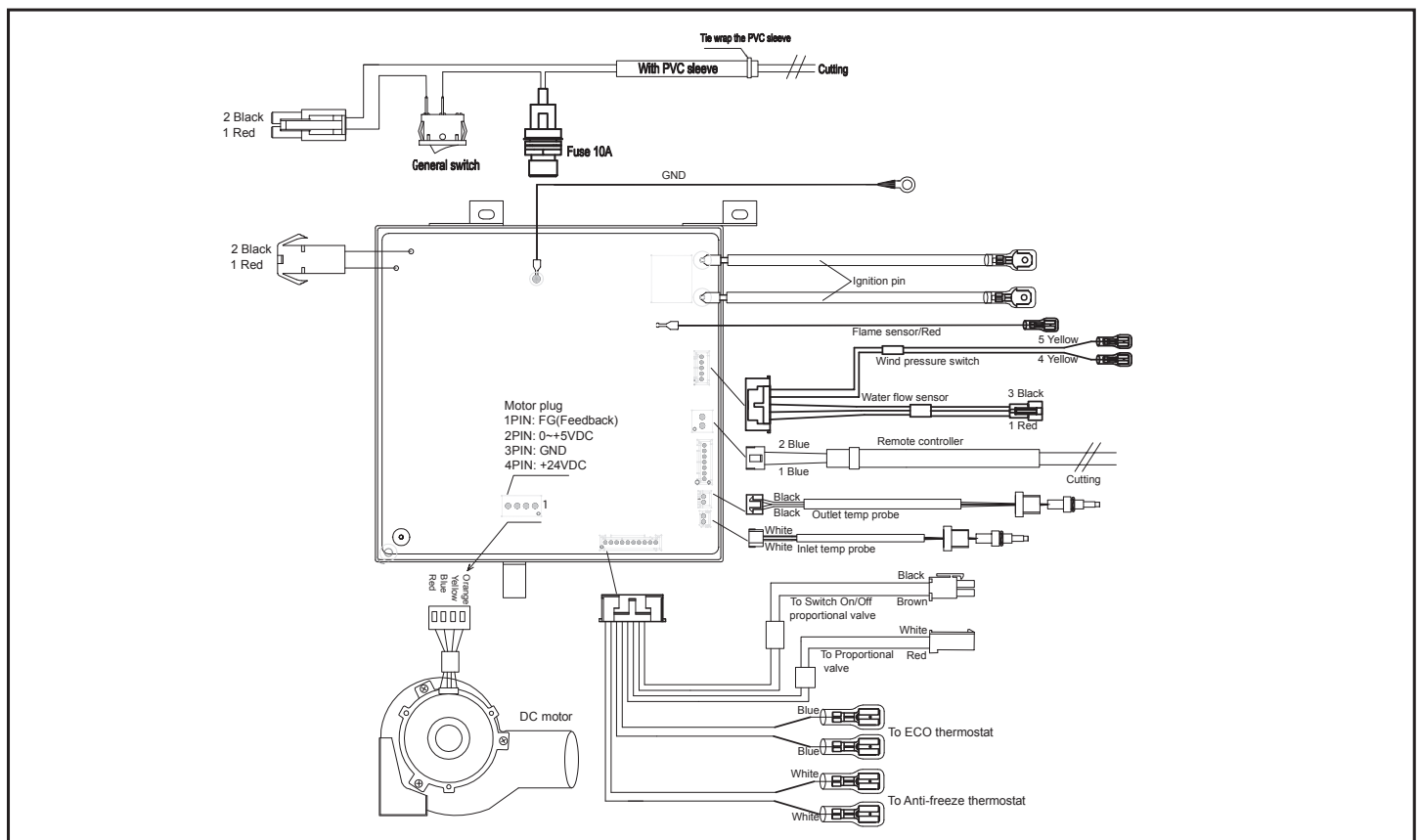
**Fd: Water heater operating in Winter Use Mode (Freeze Protection):**

The unit will run for a few seconds and shut off. This will occur when in freezing conditions if the LP gas and 12V power are ON. This Mode will only protect the water heater Heat Exchanger and not the RV's plumbing system.

## Functional Diagram of the Water Heater



## Wiring Diagram of the Electrical Connections within the Unit



# Exploded view of all of Components

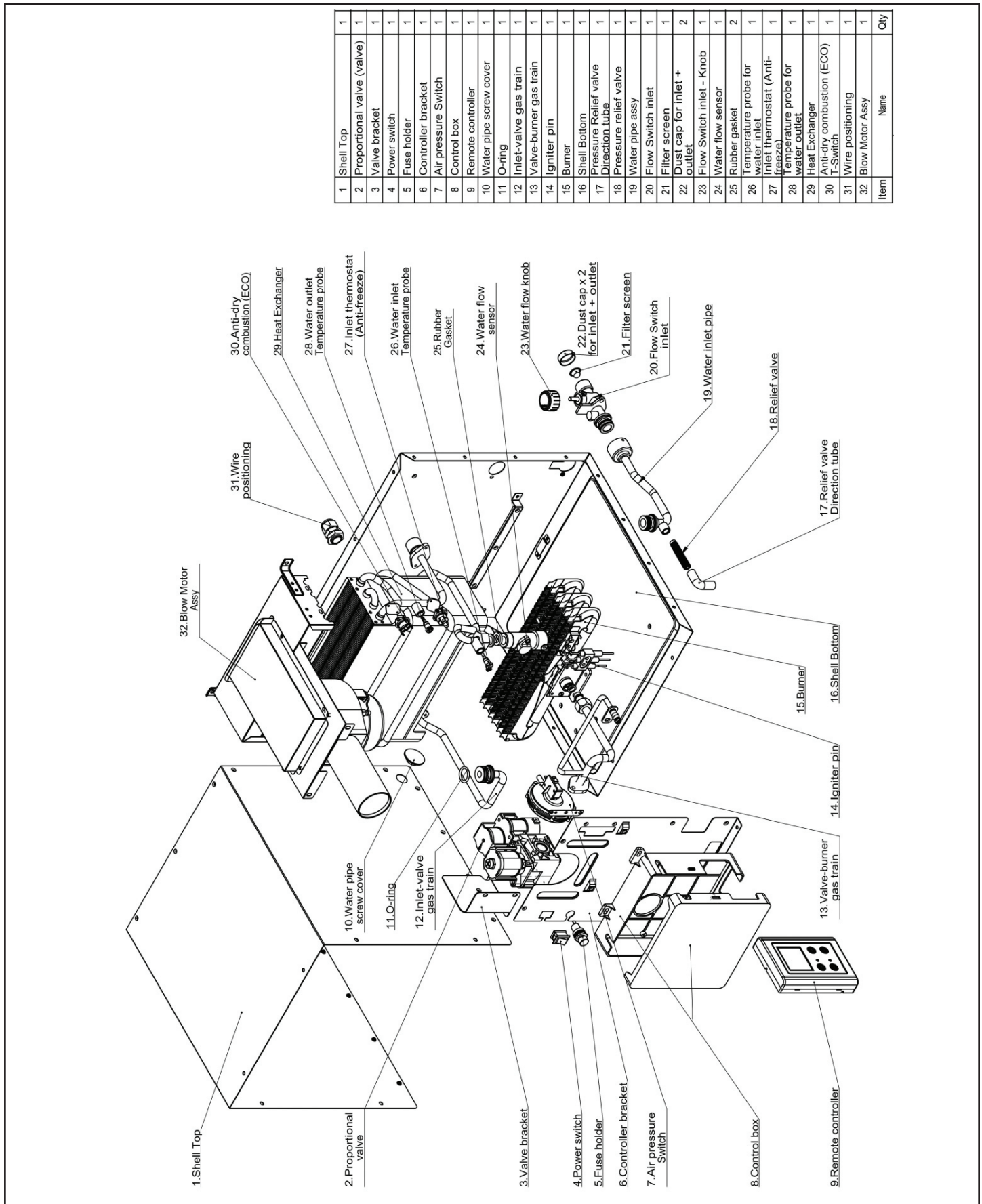
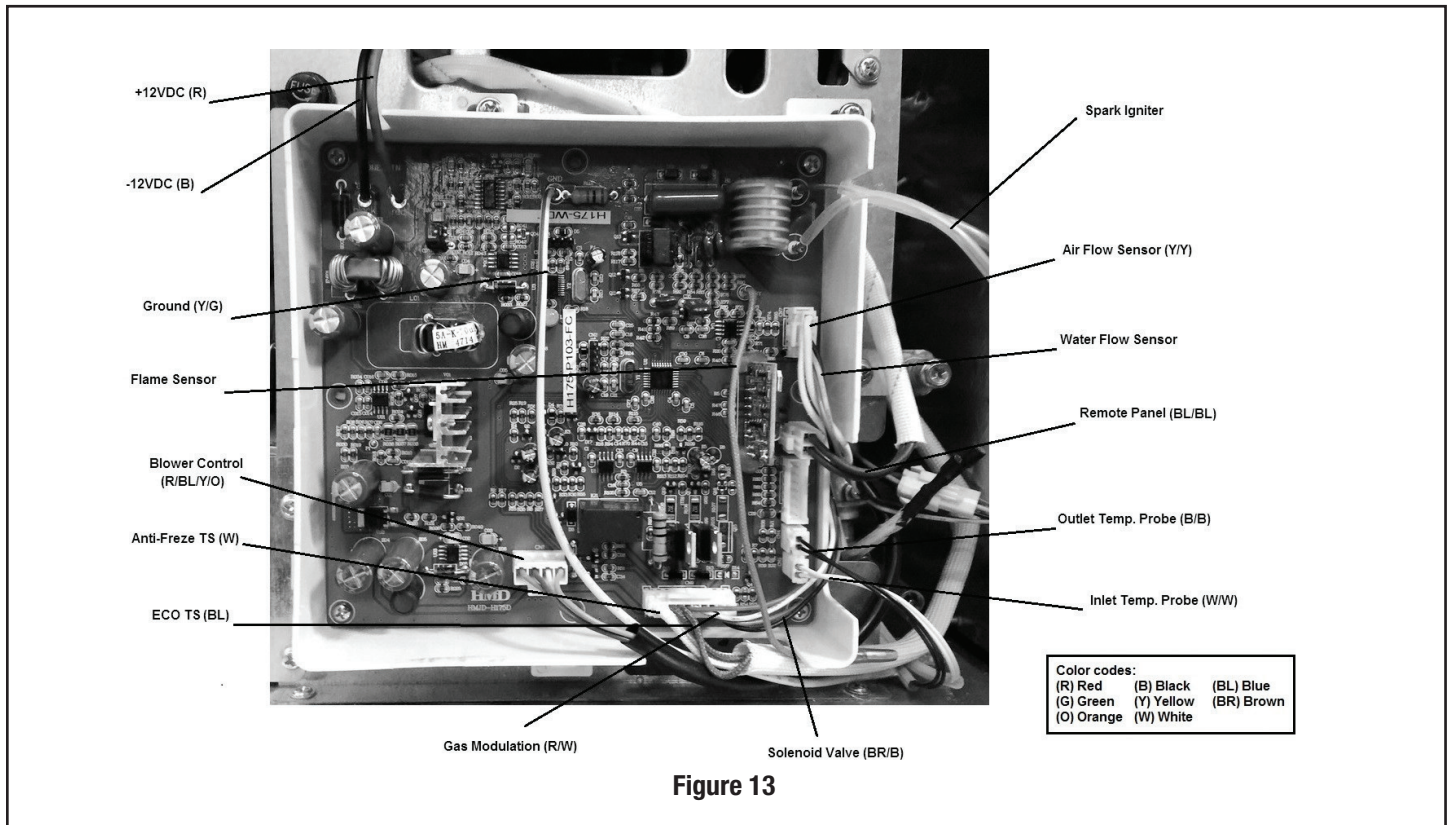


Figure 12

## Control Module and its Connections



## MAINTENANCE



### CAUTION

Label all wires prior to disconnection when servicing controls.  
Wiring errors can cause improper and dangerous operation.  
Verify proper operation after servicing

We recommend that the GSWH-2 water heater be inspected monthly by the user and at least once a year by a Girard Products LLC recommended service technician.

Before an inspection, make sure that the Electrical Power, LP Gas and Water systems are turned on. Purge air out of ALL hot and cold water lines. **Verify that there are no combustible materials, gasoline or other flammable vapors and liquids in proximity of the unit.**

A routine inspection must include the following items:

- 1. Inspect the integrity of the sealing (caulking or tape) between the side wall and the door of the water heater and ensure that the unit is solidly mounted to the vehicle.**
2. Verify that the air inlet openings (louvers) are completely open and clear of any debris including mud, leaves, twigs, insects etc. Remove all obstructions to allow full air flow.

3. Insects, including mud wasps and spiders, can build nests in the Exhaust Tube Outlet which will affect the performance of the unit. Inspect the Flue Outlet Tube to make sure that It is unobstructed and that the screen is clean. **If debris or insects are present, clean and vacuum to remove any remaining debris. The use of any type of aftermarket screen to cover the vent is not permitted and will void the warranty.**
- 4. Open the door and verify that no debris or extraneous combustible materials are present anywhere (especially in the area of the burner and the gas controls); remove any item present and wipe clean the bottom of the housing.**
5. Inspect the interior surface of the housing for any cracks or corroded areas that could allow penetration of gases into or out of the interior of the vehicle. Check especially around the Hot Water, Cold Water, Gas and electrical connections.
6. There is a filter screen on the Water Heater inlet water line connection, unscrew the water line connection from water inlet and check the screen to ensure no debris.
7. Check that all wire connections are firmly in place and there are no signs of chafing or cracks on the insulation. Verify that the spark ignition cable between the Control Board and the igniter is securely in place and not shorted to any metal component.
8. Check relief valve to ensure it has not been leaking (no water residue).
- 9. Turn ON the power to the water heater and open a hot water faucet to inspect the flame of the burner. The flame should be of the normal bluish appearance that indicates proper combustion. This can be accomplished by opening the water heater door and observing the flames by looking at the burner under the edge of the heat exchanger.**
- 10. If unit overheats (limits) often and the relief valve discharges periodically contact your service center.**

## SERVICE

Your Girard Tankless Water Heater is manufactured to the highest standards and is designed to provide years of trouble free use but in the event you require service please follow the steps outlined below. Remember as an owner, you are required to provide proof of purchase date through a Bill of Sale or other appropriate record.

1. For warranty/service information contact a Girard Products Water Heater Service Center, call the Girard Products Technical Support Department at 949-259-4024 or visit our website at [www.greenrvproducts.com](http://www.greenrvproducts.com) for a local recommended service center.
2. If the Girard water heater was installed by the OEM it may be under their warranty, follow the steps suggested by the manufacturer of your RV or contact Girard Products.
3. Call the service center, describe your problem and make an appointment if necessary. **SERVICE CALLS TO CUSTOMER LOCATION ARE THE RESPONSIBILITY OF THE OWNER.**
4. **GIRARD PRODUCTS WILL NOT PAY THE SERVICE CENTER FOR WARRANTY REPAIRS WITHOUT PRIOR APPROVAL.**
5. Provide the Service Center with purchase documentation for your Girard Water Heater.

The Girard Products GSWH-2 Water Heater is designed for use in recreation vehicles for the purpose of heating water as stated in the "rating plate" attached to the water heater. Any other use, unless authorized in writing by the Girard Products Engineering Department, voids the warranty.

**GIRARD PRODUCTS, LLC**  
1361 CALLE AVANZADO, SAN CLEMENTE, CA 92673  
949-259-4024  
[www.greenrvproducts.com](http://www.greenrvproducts.com)

GSWH-2 Owner's Manual Part No. 2GWH9401  
01/2017





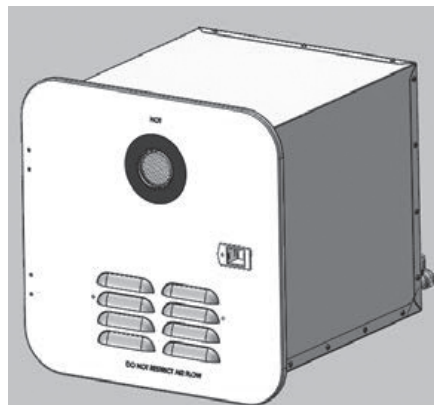
GIRARD PRODUCTS. LLC.

## Manuel du propriétaire

### Model: GSWH-2

#### Caractéristiques:

- Chauffe-eau sans réservoir
- LP Gaz / tirage forcé
- Température de sortie constante
- Valve de contrôle de gaz linéaire
- Modulation électronique du Gaz
- Contrôleur à microprocesseur



**ATTENTION: Si les informations contenues dans ces instructions ne sont pas suivies à la lettre, il y aura un risque d'incendie ou d'une explosion entraînant des dommages matériels, des blessures ou la mort.**

- Ne pas stocker ou utiliser de l'essence ou d'autres vapeurs et liquides inflammables à proximité de cet ou tout autre appareil.
- QUE FAIRE EN CAS D'ODEUR DE GAZ:
  - Évacuez toutes les personnes du véhicule.
  - Coupez l'alimentation en gaz à la bouteille de gaz ou la source.
  - Ne pas toucher un interrupteur électrique, ou utilisez un téléphone ou la radio dans le véhicule.
  - Ne pas démarrer le véhicule de moteur ou générateur électrique
  - Contactez le fournisseur de gaz le plus proche ou technicien de service qualifié pour les réparations.
  - Si vous ne pouvez pas Earch un fournisseur de gaz ou technicien de service qualifié, communiquez avec le service d'incendie le plus proche.
  - Ne mettez pas sur la fourniture de gaz jusqu'à ce que la fuite (s) de gaz a été réparé.
  - L'installation et l'entretien doivent être effectués par un installateur qualifié, une agence de service ou le fournisseur de gaz.lier.

**EFFECTIVE 01/2017**

Girard Products LLC, 1361 Calle Avanzado, San Clemente CA 92673 USA

## CHAUFFE-EAU - Modèle GSWH-2

- **Installation**
- **Fonctionnement**
- **Maintenance et Service**

### Installation

Ce chauffe-eau est certifié pour l'installation dans les véhicule récréatif (VR) (RV), et non pour une utilisation dans marins ou Espace



**Intertek**  
5001257

Complies with the requirements of  
ANSI Z21.10.3-2014 and CSA 4.3-2014.

#### **ATTENTION:**

**Lire et suivre toutes les règles et les instructions de sécurité avant de faire fonctionner cet appareil.**

#### **Responsabilités Installer / clients**

- L'installation et l'entretien doivent être effectués par un installateur recommandé par Girard Products, une agence de service ou un fournisseur de gaz.
- Ne tentez pas de l'installation comme un projet "Do-it-Yourself."
- Lire et respecter toutes les règles de sécurité.
- Arrêter les appareils à gaz et leurs veilleuses (le cas échéant) lors du ravitaillement.
- Conservez ces instructions et la garantie pour référence future.
- Suivez tous les codes d'État et locales applicables.
- Suivez un programme régulier d'entretien, comme indiqué dans ce manuel.



**Ceci est le symbole d'alerte de sécurité utilisée dans ce manuel. Il est utilisé pour vous avertir des risques potentiels de blessures graves ou même la mort.**

### **AVERTISSEMENT – INCENDIE PU EXPLOSION**

ATTENTION: Ces instructions doivent être suivies à la lettre, un incendie ou une explosion entraînant des dommages matériels, des blessures ou la mort. Ne pas entreposer ou utiliser d'essence ou d'autres vapeurs et liquides inflammables à proximité de cet ou tout autre appareil.

#### **POUR VOTRE SÉCURITÉ --- QUE FAIRE SI UNE ODEUR DE GAZ**

- NE PAS tenter d'allumer l'appareil.
- Ne touchez aucun interrupteur électrique, ou utilisez un téléphone ou la radio dans le véhicule.
- NE PAS démarrer le véhicule de moteur ou générateur électrique.
- Évacuez toutes les personnes du véhicule.
- Coupez l'alimentation en gaz à la bouteille de gaz ou la source.
- Contactez un technicien de service certifié le plus proche ou le fournisseur de gaz pour les réparations.
- Si vous ne pouvez pas parvenir à un technicien de service ou fournisseur de gaz certifié, contactez le service d'incendie le plus proche.
- NE PAS brancher le gaz jusqu'à ce que la fuite (s) de gaz a été réparé.
- L'installation et l'entretien doivent être effectués par un installateur recommandé Girard Products, LLC, une agence de service ou fournisseur de gaz.

#### **Le tableau ci-dessous résume les principales caractéristiques de performance du modèle GSWH-2.**

BTU/HR	42,000 BTU
carburant	Propane (LP Gas)
Inlet Pressure	11" WCI Min to 14" WCI Max
Pression d'admission	1.5" – 7.8" WCI
Puissance	12VDC < 3 amp
Pression de fonctionnement de l'eau	125 PSI Max
Dimensions	Largeur: 12.5" Hauteur: 12.5" Profondeur : 15.5"
Poids	22 lbs.
ECO	Max Temperature 140° (F)



## **AVERTISSEMENTS CRITIQUES D'INSTALLATION**

- Installation et maintenance doivent être effectuées par un installateur recommandé par Girard Products, LLC, une agence de service ou un fournisseur de gaz.
- Ce produit n'a pas été conçu pour installation 'Do-it-Yourself'. Installer uniquement dans les véhicule récréatif (VR). VR sont des les véhicule récréatif conçus comme des logements temporaires pour une utilisation comme les loisirs, le camping, ou Voyage ayant leur propre pouvoir ou remorqué par un autre véhicule. Ce chauffe-eau est PAS conçu pour les applications marines ou le chauffage.
- Tout l'air de combustion doit être fournie de l'extérieur du camping-car, et tous les produits de combustion doit être évacué à l'extérieur du camping-car.
- NE PAS ventiler chauffe-eau avec un système de ventilation desservant un autre appareil ou à un extérieur de la zone de véranda.
- NE PAS modifier le chauffe-eau en aucune façon. Ceci est dangereux et annule la garantie.
- NE PAS modifier chauffe-eau pour un système de mise à la terre positive.
- NE PAS HI-POT chauffe-eau sans la commande d'allumage électronique (circuit de bord) a été tourné "OFF" (interrupteur d'alimentation est en position "Off")
- NE PAS utiliser le chargeur de batterie pour alimenter le chauffe-eau, même lors de l'essai.
- Protéger les matériaux de construction de l'échappement des gaz de combustion. Installez le chauffe-eau sur un mur extérieur, avec porte d'accès d'ouverture vers l'extérieur.
- NE PAS soulever le chauffe-eau ou transporter en le tenant par le tuyau

## USA ET CANADA - Prendre State CODES ET LOCALES APPLICABLES EN L'ABSENCE DE

### CODES ou réglementations locales se référer aux normes EN COURS:

#### L'installation doit être conforme à l'une ou plusieurs des mesures suivantes, selon le cas:

1. Les codes locaux ou, en l'absence de codes locaux, le National Fuel Gas Code, ANSI Z223.1 / NFPA 54 et / ou CSA B149.1, Gas Natural et le Code d'installation du propane.

2. Les codes locaux ou, en l'absence de codes locaux, véhicules récréatifs, NFPA 1192 et / ou CAN / CSA-Z240 VR Series.



#### **ATTENTION!**

- Une installation, un réglage, une modification, un service ou d'entretien peut causer des dommages matériels, des blessures ou des pertes de vie.
- L'installation et l'entretien doivent être effectués par un installateur recommandé de Girard Products LLC, une agence de service ou un fournisseur de gaz

Les instructions suivantes concernent le type le plus commun de l'installation pour le GSWH-2 chauffe-eau. Consultez Girard Produits soutien ou de l'ingénierie département technique si vous avez des questions supplémentaires concernant votre installation / application spécifique.



#### **IMPORTANT!**

Pour un bon fonctionnement de ce chauffe-eau nécessite un fluxe d'eau minimum de .80 gallon par minute (gpm) pour chaque robinet d'eau chaude qu'il alimente

## Choisissez un endroit approprié

Le chauffe-eau est conçu pour être installé sur un plancher ou une plate-forme fixe avec accès à l'eau, le gaz et une connexion électrique 12VDC de l'arrière. Il est recommandé que le GSWH-2 soit situé aussi près du centre du véhicule que possible.

- **NE PAS L'INSTALLER DANS UN ENDROIT OÙ LA PRISE D'AIR OU L'ÉVENT D'ÉVACUATION PEUVENT ÊTRE RECOUVERTS LORSQU'UNE PORTE OU UN PANNEAU D'ACCÈS DU VÉHICULE EST OUVERT.**
- **NE PAS INSTALLER DANS UN ENDROIT OÙ L'ÉVENT D'ÉVACUATION SE TROUVE À MOINS 30 CM, DANS TOUTES LES DIRECTIONS, D'UNE FENÊTRE OU D'UNE OUVERTURE DU VÉHICULE.**
- **NE PAS INSTALLER LE CHAUFFE-EAU OU TOUT AUTRE APPAREIL DANS UN ENDROIT OÙ L'ÉVACUATION SE FERAIT DANS UN ESPACE FERMÉ PAR UN AUVENT, UN DAIS OU DE TOUT AUTRE FAÇON.**

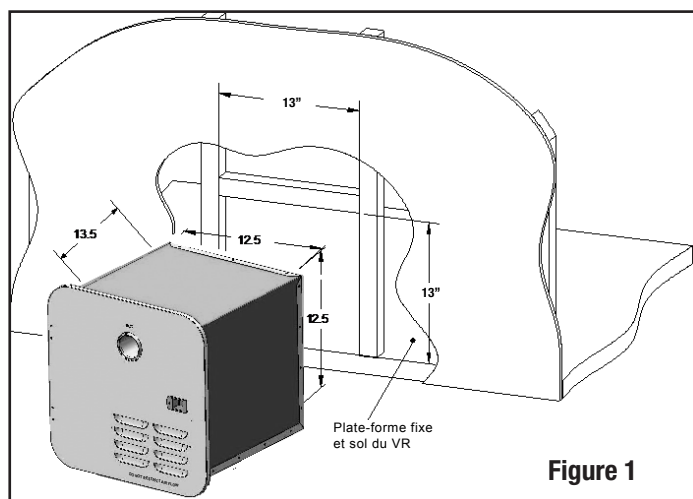
(Note: Le chauffe-eau peut être installé sous un VR roll-out / rétractable de type auvent fournir le store n'a pas une enceinte comme une salle de l'écran et / ou un certain type de "enceinte fortifiée".)

## Préparation de l'emplacement

Pour une installation sur une surface recouverte de tapis, il faut placer un panneau de métal ou de bois sous le chauffe-eau, plus large et plus profond d'au moins 37,6 cm de chaque côté de l'appareil. Si une fuite d'eau peut causer des dommages à l'aire environnante, installer, sous le chauffe-eau, un bac d'égouttage permettant l'évacuation vers l'extérieur du véhicule.

S'assurer qu'après l'installation, il restera un espace de 2,5 cm entre le dessus du chauffe-eau et tout matériau combustible. Il est acceptable de ne pas avoir d'espace sur les côtés.

S'assurer que le rebord avant de l'ouverture est entouré d'un cadre solide pour bien ancrer le chauffe-eau; au besoin, construire un cadre approprié à l'aide de planches 2 x 2 (Figure 1). L'ouverture inachevée pour le modèle GSWH-1 doit mesurer 33,4 cm x 33,4 cm avec des angles droits. L'ouverture du mur extérieur doit avoir les mêmes dimensions sans coins arrondis.



Vérifiez que les connexions d'eau et de gaz électriques du véhicule sont en place pour l'installation de l'unité.

Prévoyez une longueur et une flexibilité suffisante dans les lignes d'eau et de gaz électriques pour atteindre les connexions alors que l'appareil est partiellement inséré dans l'ouverture.

## Installation du Chauffe-eau

Retirer l'élément chauffant de la boîte à eau en le saisissant par les côtés métalliques du boîtier et soulever vers le haut jusqu'à ce qu'il soit libre de la boîte.

Insérez partiellement le chauffe-eau dans l'ouverture et connecter à la fois chaud et les lignes d'eau froide aux ½ "NPT appropriées. Les connexions peuvent être faites en utilisant des adaptateurs PEX pivotant de noix avec des fils droites du TNP et un joint de cône. Les écrous tournants PEX ne nécessitent qu'un serrage à la main.



### DOMMAGES AU PRODUIT

- **Un serrage excessif endommagera les raccords d'arrivée d'eau froide et d'eau chaude. NE PAS trop serrer.**
- **Utilisez deux clés pour serrer la compression de gaz de LP montage pour éviter d'endommager l'appareil.**

Branchez le gaz à la «LP Gas raccord de compression de 3/8 à l'arrière du chauffe-eau (figure 2).

**Utilisez deux clés pour serrer le raccord pour éviter d'endommager l'unité de compression.**

**Utiliser du calfeutrage supplémentaire si nécessaire pour compléter un joint permanent au niveau du raccordement de la conduite de gaz.**

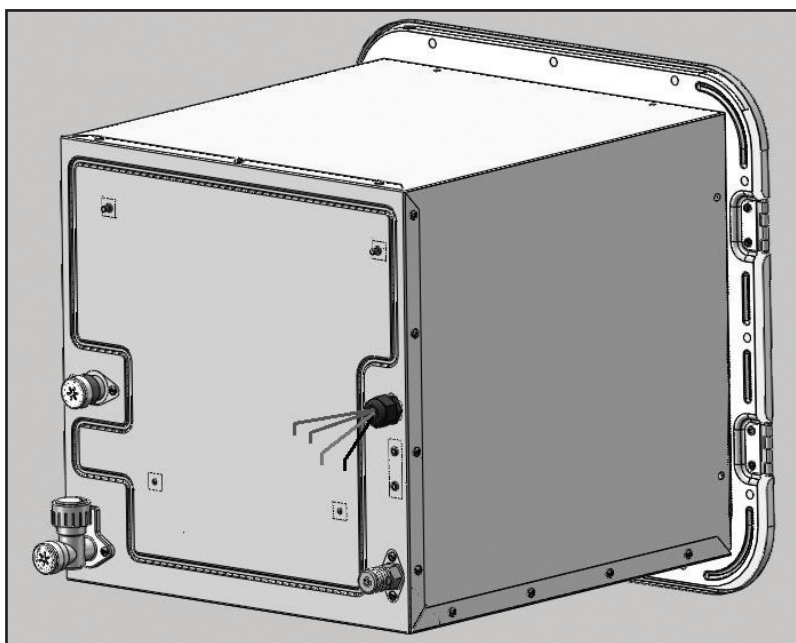
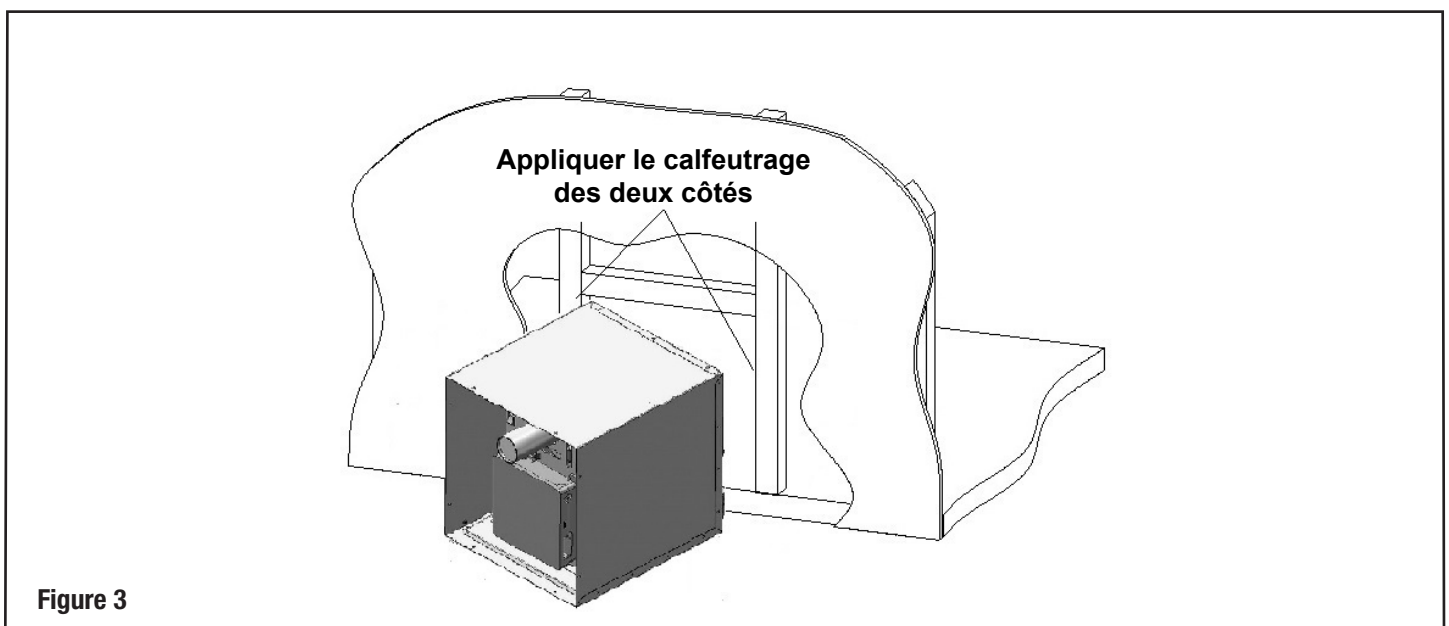


Figure 2

## A: Installation de chauffe-eau avec bride séparée

**Note: Pour l'installation de chauffe-eau avec bride solidaire aller à la section B:**

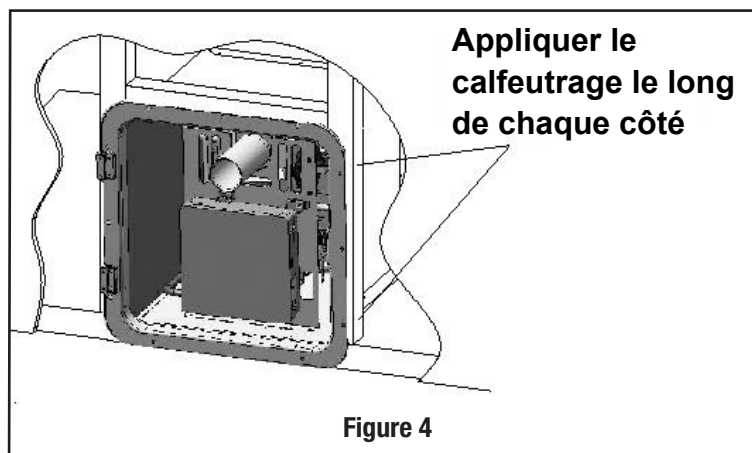
1. Remplir la demande de "peau" de la paroi extérieure du véhicule.
2. Placez le chauffe-eau boîtier dans l'ouverture du cadre avec le bord avant alignés pour le mur extérieur (voir Figure 3).
3. **Pour éviter les fuites d'eau et d'air appliquent calfeutrage suffisant autour de l'ouverture de l'ensemble de cadre et le bord extérieur du boîtier du chauffe-eau. Utilisation d'un matériau de calfeutrage approprié qui se traduira par un joint permanent entre le chauffe-eau et le châssis du véhicule.**
4. Insérez la bride de la porte dans le boîtier de chauffe-eau et appuyez sur la bride fermement contre la paroi latérale.
5. Lorsque vous êtes prêt à procéder, **appliquez du calfeutrage supplémentaire ou ruban de caoutchouc butyle à l'arrière de la bride de la porte** qui sera en contact de la paroi latérale de VR autour du périmètre de l'ouverture.
6. Alignez chaque trou le long du cadre intérieur de la bride avec les trous correspondants dans le boîtier du chauffe-eau et sécurisé à l'image à l'aide n ° 8 - 3/4 "vis à tête plate à l'aide de deux vis de chaque côté.
7. Fixer la bride sur le véhicule en utilisant n ° 8 - 3/4 "vis à tête plate dans chaque trou le long du périmètre. **Vérifiez que un joint étanche existe entre la paroi latérale et le rebord. Sinon, répétez les étapes ci-dessus.**
8. Retirer tous excès de calfeutrage et nettoyer toutes les surfaces.





## B: L'installation de chauffe-eau avec bride séparée

1. Protéger la paroi latérale avec du ruban adhésif ou d'autres moyens appropriés pour assurer qu'il ne soit pas endommagé lors de l'installation du chauffe-eau.
2. Placez le chauffe-eau de sorte que le bord avant étend depuis l'ouverture d'environ 2 "et insérez la bride de la porte dans le boîtier.
3. fixer en permanence la bride sur le boîtier à l'aide de vis en acier inoxydable ou des rivets en acier inoxydable avec la gamme du emprise de .188 "à .129" et avec un trou de taille de .129 "à .133".
4. **Pour prévenir les fuites d'eau appliquent une bonne quantité de calfeutrage ou de la bande de butyle sur le flanc et le bas de l'ouverture qui sera couvert par la bride.**
5. Faites glisser le chauffe-eau en place dans l'ouverture et **appuyez sur le rebord de la porte contre la paroi latérale.**
6. sécurisé unité de logement du chauffe-eau pour le véhicule en utilisant n° 8 - 3/4 "vis à tête fraisée à travers chaque trou dans le rebord de porte (Figure 4 et Figure 7). **Vérifiez que un joint étanche existe entre la paroi latérale et le rebord. Sinon, répétez les étapes ci-dessus.**



## C: Installation de 12VDC, et le panneau du contrôle de l'utilisateur (UCP)

1. FIXEZ LE COMMUTATEUR ELECTRIQUE DU CHAUFFE-EAU ELECTRIQUE EN POSITION «OFF» et branchez les fils d'alimentation électrique (à l'arrière du chauffe-eau - fils Rouge et Noir). Le fil Rouge à un circuit 12VDC à partir du panneau DC protégé par un commutateur d'alimentation intérieur (non fourni) et un fusible de 10 ampères. Connectez le fil Noir à une connexion de masse sur le panneau. NOTE - Le fil Rouge est positif (+) et le fil Noir est négatif (-).



Figure 5

2. Déterminez l'emplacement du Panneau de Contrôle de l'Utilisateur (UCP - Figure 5) à l'intérieur du VR. Percez un trou de  $\frac{3}{4}$  "et exécutez 2-18 fils de calibre de l'arrière du chauffe-eau au trou de  $\frac{3}{4}$  " (**longueur de câble maximale est de 16 'ou 5M**). Connectez les 2 bleu fils au Panneau de Contrôle de l'Utilisateur 2 fils et aux 2 fils à l'arrière de chauffe-eau. Remarque – les fils UCP peuvent être connectés à couleur / câble principale.

**ATTENTION - Ne pas connecter les fils UCP aux fils d'alimentation (NOIR ou ROUGE) à l'arrière du chauffe-eau.**

**NOTE D'INSTALLATION – Le micro processeur est toujours allumé. Puisqu'il attire environ 0,20 SAP, il est conseillé de couper l'alimentation de 12 V en cas de stockage ou de camping autonome. Ceci peut être accompli en installant ou en utilisant un interrupteur intérieur (non fourni) ou en désactivant le circuit du Chauffe-Eau.**



#### **AVERTISSEMENT**

NE PAS utiliser d'allumettes, de bougies ou toute autre source d'allumage pour vérifier la présence éventuelle de fuites de gaz.

## **D: Les tests fonctionnels**

1. Vérifiez que le commutateur d'alimentation sur le chauffe-eau est en position «OFF» (situé dans le compartiment de chauffe-eau) ou le commutateur intérieur électrique du chauffe-eau (si installé).
2. Ouvrez l'approvisionnement en eau vers l'unité.
3. Ouvrez puis fermez les robinets de l'eau FROIDE et CHAUDE dans le véhicule pour remplir les tuyaux avec de l'eau. Si nécessaire, évacuez l'air de toutes les conduites d'eau y compris les rondelles, toilettes et robinets extérieurs. Fermez les robinets quand l'eau coule librement et vérifiez qu'il n'y a pas de fuites au niveau des raccords et à l'intérieur du chauffe-eau.
4. Vérifiez qu'il y a un flux d'eau "constant" (pas de pulsation). En cas de pulsation, réglez les paramètres de la pompe d'eau.
5. Ouvrez l'alimentation en gaz et vérifiez toutes les conduites de gaz contre fuites de gaz, y compris le conduit extérieure et le conduit de gaz à la vanne de gaz à l'intérieur du compartiment du chauffe-eau.
6. Tournez l'interrupteur d'alimentation sur la position "ON" et vérifiez que l'UCP est allumé (appuyez sur le bouton d'alimentation ROUGE sur le UCP pour allumer). Il affichera le réglage de la température d'Eau Chaude.
7. Le réglage d'usine recommandé est de 115 degrés (F) ou 46 degrés (C).
8. Ouvrez un robinet d'eau Chaude et vérifiez que l'unité s'allume et fournit de l'eau chaude au robinet.
9. L'affichage UCP indiquera les icônes suivantes: ventilateur, flamme et de la température d'eau. Voir page 13 - # 7 pour les identifications d'icônes.
10. LORS DU FONCTIONNEMENT DE L'UNITE, vérifiez qu'il n'y a pas de fuites au niveau du conduit de gaz externe et à proximité du contrôle du gaz au sein de l'unité.

## E: Installation de la porte



### ATTENTION!

Il est nécessaire d'utiliser uniquement un chauffe-eau Porte applicable Girard avec un chauffe-Girard GSWH-2 eau. L'utilisation de toute autre marque de la porte de chauffe-eau aura une incidence sur le fonctionnement et la performance du chauffe-eau Girard et peut entraîner une situation dangereuse.

La porte du chauffe-eau GSWH-2 est articulée sur le côté gauche de la bride de montage et s'ouvre de la droite (Voir Figure 6 ci-dessous). Le verrou doit sécuriser la porte fermée en tout temps pendant le fonctionnement.

Si nécessaire pour le service, la porte peut être retirée en enlevant les vis d'articulation. Gardez les vis dans un endroit sûr pour remonter la porte. Optionnel - Pour sécuriser davantage la porte, vous pouvez ajouter une vis dans le trou situé au fond.

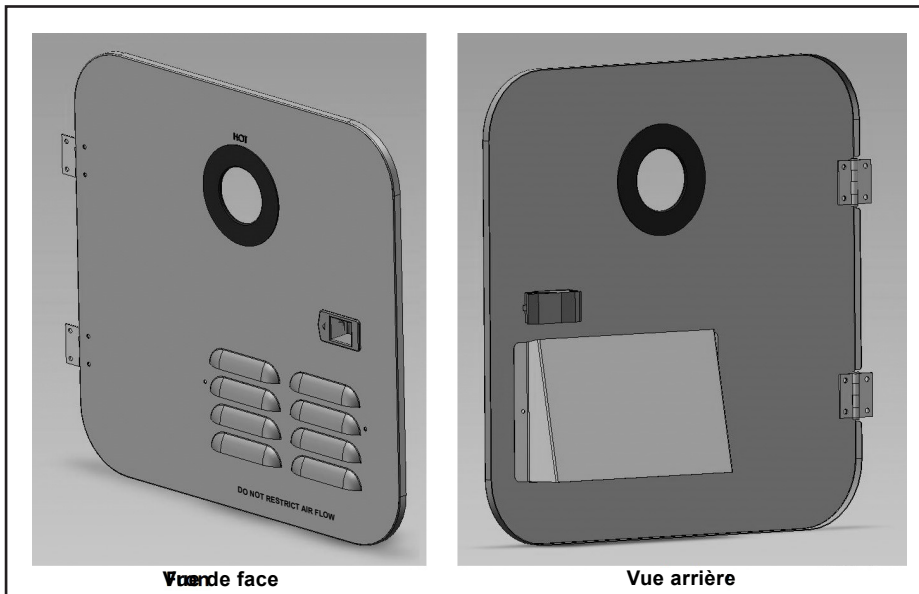


Figure 6

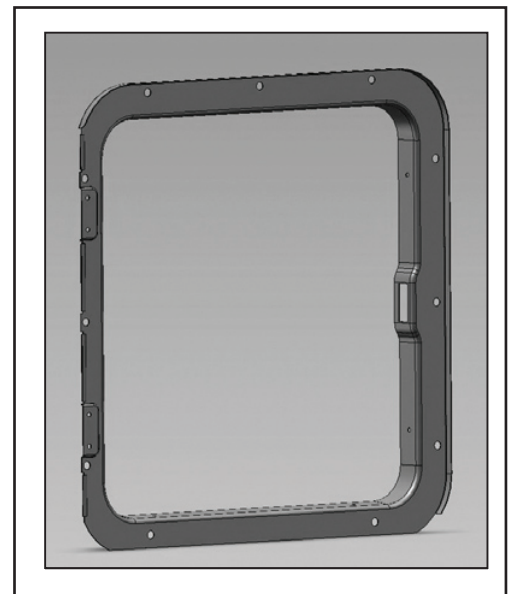


Figure 7



### AVERTISSEMENT - ATTENTION

- L'appareil et sa vanne d'arrêt individuelle doivent être débranchés du système de tuyauterie d'alimentation en gaz pendant les essais de pression de ce système à des pressions d'essai de plus de 1/2 psi.
- Le chauffe-eau et son conduit de gaz doivent être vérifiés avant de mettre l'appareil en fonction.
- En cas de source électrique externe, cet appareil doit être mis à la terre selon les codes locaux ou en l'absence de codes locaux, conformément au Code National de l'Électricité et à la norme ANSI/NFPA 70 ou CSA C22.1, Code Canadien de l'Électricité.

**Ceci complète les instructions d'installation de chauffe-eau Modèle GSWH-2.**

# FONCTIONNEMENT



## CONSIGNES DE SÉCURITÉ DESTINÉES AU CONSOMMATEUR

- Utiliser uniquement avec du gaz de propane liquide.
- Lors du réapprovisionnement en carburant, éteindre les appareils à gaz et les flammes pilotes.
- FERMER le gaz au niveau du réservoir à propane liquide, lorsque le véhicule est en déplacement. Cela permet d'éteindre tous les appareils à gaz et toutes les flammes pilotes. Les appareils à gaz ne doivent jamais fonctionner lorsque le véhicule est en mouvement.
- Les réservoirs à propane liquide devront être remplis uniquement par un fournisseur en gaz qualifié.
- En cas de surchauffe, FERMER le gaz au niveau du réservoir de propane liquide et mettre l'interrupteur à la position OFF (Arrêt).

### A: Comprendre le fonctionnement du système Girard du chauffe-eau sans réservoir sur demande

Dans le cas d'une installation classique, le chauffe-eau sans réservoir Girard est relié au:

1. système de l'eau froide du VR dérivant son entrée d'eau à partir d'une source pressurisée (45 psi ou plus) comme une prise de terre ou d'une pompe d'eau du VR connecté au réservoir de stockage d'eau fraîche du VR. NOTE - Un flux d'eau régulier (pas de pulsation) assurera une température et performance constante.
2. système d'eau chaude du VR (c. robinets et douche).
3. système de gaz PL du véhicules récréatifs (VR est en mesure de fournir son exigence nominale en BTU. Le modèle Girard Products GSWH-2 introduit une nouvelle génération intelligente de chauffe-eau sans réservoir spécialement conçu pour les véhicules récréatifs (VR). Sa configuration et taille sont conformes aux chauffe-eaux avec réservoir pour les VR actuellement en utilisation et est conçu pour les fabricants d'équipement d'origine et utilisation après-vente par l'industrie du VR.
4. L'alimentation électrique 12VDC du VR.

La commande avec microprocesseur du chauffe-eau (Module de Commande) reçoit des capteurs électroniques; les données qu'elle doit déterminer en chaque étape de l'opération du Modèle GSWH-2.

1. Affichez sur le Panneau de Contrôle de l'Utilisateur (JCP) de chaque phase du fonctionnement du chauffe-eau et recevez de l'utilisateur les paramètres de fonctionnement désirés:
  - ON / OFF pour activer
  - Température de sortie désirée
2. Vérifiez que tous les composants sont en ordre de marche et qu'il est sûr de commencer l'unité lors de la détection de la quantité minimale du flux d'eau nécessaire (.90 Ga/min).
3. Vérifiez que le ventilateur est en marche et qu'il fournit le flux d'air nécessaire pour maintenir une combustion propre.

4. Ouvrez la commande de gaz et allumez le brûleur selon la procédure requise par la norme de sécurité.
  5. Confirmer la pression du gaz est réglée à la bonne pression.
  6. Continuez le fonctionnement tant que:
    - Le flux d'eau est au-dessus du minimum requis.
    - La présence de la flamme est vérifiée.
    - Aucune condition dangereuse ne se développe.
  7. Fournissez à l'utilisateur une indication visuelle des conditions de fonctionnement, allumant l'icône appropriée et affichant la température de sortie actuelle:
    - L'icône Fan en marche: exploitation Blower
    - L'icône Flamme en marche: brûleur est allumé et flamme est détectée
  8. Pomme de Douche en marche: L'eau coule Le bouton marqué "C / F" détermine si la température est affichée en ° F ou ° C degrés.
  9. Chaque fois que les boutons "UP" ou "Down" sont pressés, l'affichage montre la température définie.
  10. Si une condition dangereuse est détectée et l'unité est arrêtée, l'écran affiche un Code d'Erreur correspondant à la condition actuelle qui a provoqué la situation dangereuse.
- Consultez la section Dépannage ci-dessous pour une liste de tous les codes d'erreur.

## B. L'optimisation de la vanne de contrôle du flux d'eau (optionnel)

La Vanne de Contrôle d'Eau GSWH-2 fournit un bon contrôle de la température de sortie au sein d'un large éventail de températures d'eau d'entrée comme sont normalement rencontrées dans les Véhicules Récréatifs. L'unité est livrée avec la Vanne de Contrôle d'Eau fixée à un flux entièrement ouvert / maximum. Si on le désire, le flux de fonctionnement peut être réglé manuellement. Il est situé à l'arrière du chauffe-eau.

En cas de fonctionnement à températures extrêmement froides d'entrée d'eau (environ inférieure à 45 ° F), la performance de la Vanne de Contrôle d'Eau peut être optimisée en réglant le flux comme représenté sur la figure 8 ci-dessous.

NOTE - Cette fonction peut également être accomplie en réglant le flux d'eau chaude au robinet.



Figure 8

## C: Procédures de Fonctionnement

Le modèle GSWH-2 peut être commandé à partir du Panneau de Contrôle de l'Utilisateur - UCP (Figure 9).



Figure 9

### Le modèle GSWH-2 peut être exploité en deux manières différentes:

Le modèle GSWH-2 peut être exploité en deux manières différentes:

1. En l'utilisant comme un chauffe-eau du réservoir. L'utilisateur tourne l'eau chaude et ajoute l'eau froide pour atteindre la température d'eau souhaitée.
2. Sélectionner la température désirée en réglant la température vers le haut (^) ou vers le bas (v). Les paramètres UCP sont de 95 degrés (F) à 124 degrés (F). L'unité conservera la température sélectionnée.

Note – Le réglage d'usine recommandée est de 115 degrés (F) ou 46 degrés (C).

### Directives opérationnelles communes:

1. Le panneau s'allumera et affichera la pré-set température.
2. Appuyez sur la flèche de sélection de température (vers le haut ou vers le bas) à la température désirée.
3. Ouvrez le robinet d'eau chaude.



#### AVERTISSEMENT:

Il est dangereux faire fonctionner un chauffe-eau sans réservoir sans surveillance. Cela peut se produire accidentellement si une fuite suffisante développe dans le système de l'eau ou si un robinet est laissée ouverte. Pour cette raison, Le GSWH-2 sera éteint automatiquement après avoir fonctionné pendant 20 minutes et affiche Error En sur l'affichage.

## D: L'utilisation en hiver

### Hivernage

La congélation du chauffe-eau et ses composants de plomberie entraînera de graves dommages qui ne sont pas couverts par la garantie. Pour cette raison, il est recommandé de suivre la (les) recommandation (s) ci-dessous si l'unité doit être entreposée dans un environnement hivernal ou pour de longues périodes de temps. Au début de la saison d'hiver ou avant de se rendre à un endroit où les conditions soient hivernales, il faut procéder à l'hivernage de l'unité. La très petite quantité d'eau présente dans l'échangeur de chaleur NE nécessite PAS l'installation d'un système de dérivation. L'hivernisation peut être réalisée en utilisant une des deux méthodes courantes de l'hivernisation utilisées pour les systèmes d'eau du VR:

- Méthode d'air comprimé: drainez toute l'eau du système en ouvrant un robinet à la fois et en envoyant de l'air comprimé pour purger toute l'eau qui reste.
- Méthode à l'anti-gel: Suivez les recommandations du fabricant du Véhicule Récréatif et remplissez le système avec un antigel non toxique. Vérifiez que l'antigel coule de chaque robinet pour terminer la procédure.

### Dispositif antigel

Si vous souhaitez utiliser le chauffe-eau dans des conditions potentiellement hivernales, le modèle GSWH-2 a un thermostat intégré qui démarrera le brûleur à chaque fois que la température de l'échangeur thermique descend en dessous de 38 ° F et s'éteindra automatiquement lorsqu'il détecte une température supérieure à 58 ° F.



#### **AVIS IMPORTANT**

Pour permettre au Dispositif Antigé de fonctionner vous devez avoir assez de gaz PL dans le réservoir et une puissance disponible de 12VDC et vous devez laisser l'appareil sous tension avec l'interrupteur ON / OFF en position ON (MARCHE) à tout moment quand la congélation peut se produire. Cela ne protégera pas tout le système de plomberie du VR. Le VR doit être conçu pour un usage hivernal / conditions hivernales.



## E: Pieces de remplacement

#	Description	Photo	Qty
1	Coquille Superieure		1
2	Vanne proportionnelle (Vanne de Gaz)		1
3	Support de vanne		1
4	Interrupteur d'alimentation/ Porte Dusible Assy		1
5	Fusible externe 10A		1
6	Support de contrôleur		1
7	Commutateur de pression d'air		1
8	Boîtier de contrôle (Micro- Processeur)		1
9	Panneau de Contrôle de l'utilisateur (UCP) – Télécommande		1
10	Entrée d'eau cache-vis		1
11	O-anneau		1
12	Contrôle de gaz vanne d'entrée		1
13	Contrôle de gaz vanne-brûleur		1
14	Allumeur		1
15	Brûleur		1
16	Coquille Inférieure		1

#	Description	Photo	Qty
17	Tube de direction de la vanne de décompression		1
18	Soupape de décharge de pression		1
19	Conduite d'eau Assy		1
20	Entrée de commutateur de flux		1
21	Écran de Filtrage – Entrée		1
22	Cache-poussière pour entrée + sortie		1
23	Entrée de commutateur de flux – Bouton		1
24	Capteur de débit d'eau		1
25	Joint en caoutchouc		1
26	Sonde de température pour entrée d'eau		1
27	Thermostat d'entrée (antigel)		1
28	Temperature Probe for Water Outlet		1
29	Sonde de température pour sortie d'eau		1
30	(ECO) T-Commutateur		1
31	Décharge de Traction		1
32	Moteur du Ventilateur Assy		1

## E: Replacement Parts: Door Kit

#	Description	Photo	Qty
1	2GWHD Kit de porte - (Blanc) Nouvelle Installation / Sub. 6 gal.		1
2	2GHWDB Kit de porte - (Noir) Nouvelle Installation / Sub. 6 gal.		1
3	2GWDA6 Kit de porte - Blanc Atwood 6 gal.		1
4	2GWHAS10 Kit de porte - Blanc Sub / Atwood 10 gal.		1
5	2GWD Porte Seulement – Blanc		1
6	2GWHDB Porte Seulement – Noir		1
7	2GWHD Bride Seulement		1
8	2GWHDA6 Porte Seulement – Blanc		1

#	Description	Photo	Qty
9	2GWHDA6 Bride Seulement		1
10	2GWHAS10 Porte Seulement – Blanc		1
11	2GWHAS10 Bride Seulement		1
12	Charnière de porte		1
13a	Anneau de Purge en silicone – BLANC		1
13b	Anneau de Purge en silicone – NOIR		1
14a	Verrou de porte – BLANC		1
14b	Verrou de porte – NOIR		1
15	Ressort de Verrou de porte		1

## F: Dépannage

**Si une panne devait se produire dans le GSWH-2, elle sera détectée par le Module de Contrôle et la cause spécifique sera indiquée par le Code d'Erreur sur l'affichage du Panneau de Contrôle de l'Utilisateur.**

**E0:** Échec de la sonde de température de sortie d'eau.

Une condition de circuit ouvert ou court est détectée: Cela pourrait être dû à une défaillance interne de la sonde de température ou à un raccordement défectueux (conduits)

**E1:** Échec de l'allumage ou brûlage accidentel lors de l'allumage.

Si le signal de flamme établie est perdu pendant que le brûleur est en marche, le contrôle répondra dans les 0,8 secondes, la vanne de gaz est désactivé et une nouvelle routine de balayage interne et d'allumage commencera. Si le brûleur ne s'allume pas, la commande désactivera la vanne de gaz et fera un tentatives de se rallume pas le brûleur. Si le brûleur ne se rallume pas après les deux essais, le contrôle se mettra en LOCKOUT et l'unité devra être désactivée pour qu'elle puisse fonctionner à nouveau. (Tournez le robinet d'eau chaude sur OFF puis sur de re-définir) Ceci peut se produire pour un certain nombre de raisons.

### **Les plus communes sont:**

- Manque de gaz dans le réservoir
- Allumeur défectueux
- Raccordements d'allumage défectueux
- Distance incorrecte entre l'allumeur et le brûleur
- Cumul de poussière ou obstruction entre Allumeur et le brûleur
- Faible pression d'entrée du gaz

### **E2: Détection de flamme interrompue pendant le fonctionnement normale. Avertisseur sonnera.**

Les causes possibles sont les mêmes, comme indiqué par l'Erreur E1, si l'une de ces conditions se produit pendant le fonctionnement normal. Un verrouillage se produira également dans ces conditions..

### **E3: ECO ouvert avant l'allumage ou pendant le fonctionnement normal.**

Cela se produit si le thermostat ECO s'ouvre. Dans des circonstances normales, cela est dû à la Température de l'eau à la sortie dépassant 140° F (60 ° C). La cause doit être identifiée et éliminée avant de redémarrer l'unité.

### **E4: Défaut de la Sonde de Température à l'Entrée d'Eau.**

Une condition de circuit ouvert ou court est détectée: Cela pourrait être dû à une défaillance interne de la Sonde de Température ou à un raccordement défectueux (circuits)

### **E5: Panne du ventilateur de moteur**

Aucun signal de moteur n'a été détecté avant l'allumage ou pendant le fonctionnement normal. Cela pourrait être aussi causé par un défaut de câblage dans les connexions du moteur.

### **E6: Surtempérature**

Température de sortie d'eau a dépassé 140 ° F (60 ° C) pendant 3 secondes.

### **E7: Défaillance de la vanne linéaire:**

Le Module Contrôleur détecte un circuit ouvert dans le circuit de contrôle de la vanne linéaire avant l'allumage ou durant le fonctionnement normal indiquant une Vanne défectueuse.

### **E8: Interrupteur de pression d'air:**

L'interrupteur de pression d'air non détectée pendant 7 secondes avant l'allumage ou est coupé pendant 2 secondes durant le fonctionnement normal. Ce défaut peut être provoqué par un moteur défectueux ou un blocage de l'alimentation d'air ou dans le système d'échappement.

### **E9: Détecteur de flamme:**

La flamme est détectée avant l'allumage. L'avertisseur sonnera. Ceci est affiché quant une pénurie est détectée dans le détecteur de la flamme.

### **En: Temporisateur de l'Unité:**

Le chauffe-eau a fonctionné pour plus de 20 minutes. Water Heater ran longer than 20 min.

### **Fd: Chauffe-eau fonctionnant en mode utilisation d'hiver (protection contre le gel)**

L'unité aura une durée de quelques secondes et éteint. Cela se produira lorsque dans des conditions de congélation si le gaz de pétrole liquéfié et 12V sont ON. Ce Mode ne protégera chauffe-eau échangeur de chaleur et non le système de plomberie de VR (RV).

## Un Diagramme Fonctionnel du Chauffe-Eau

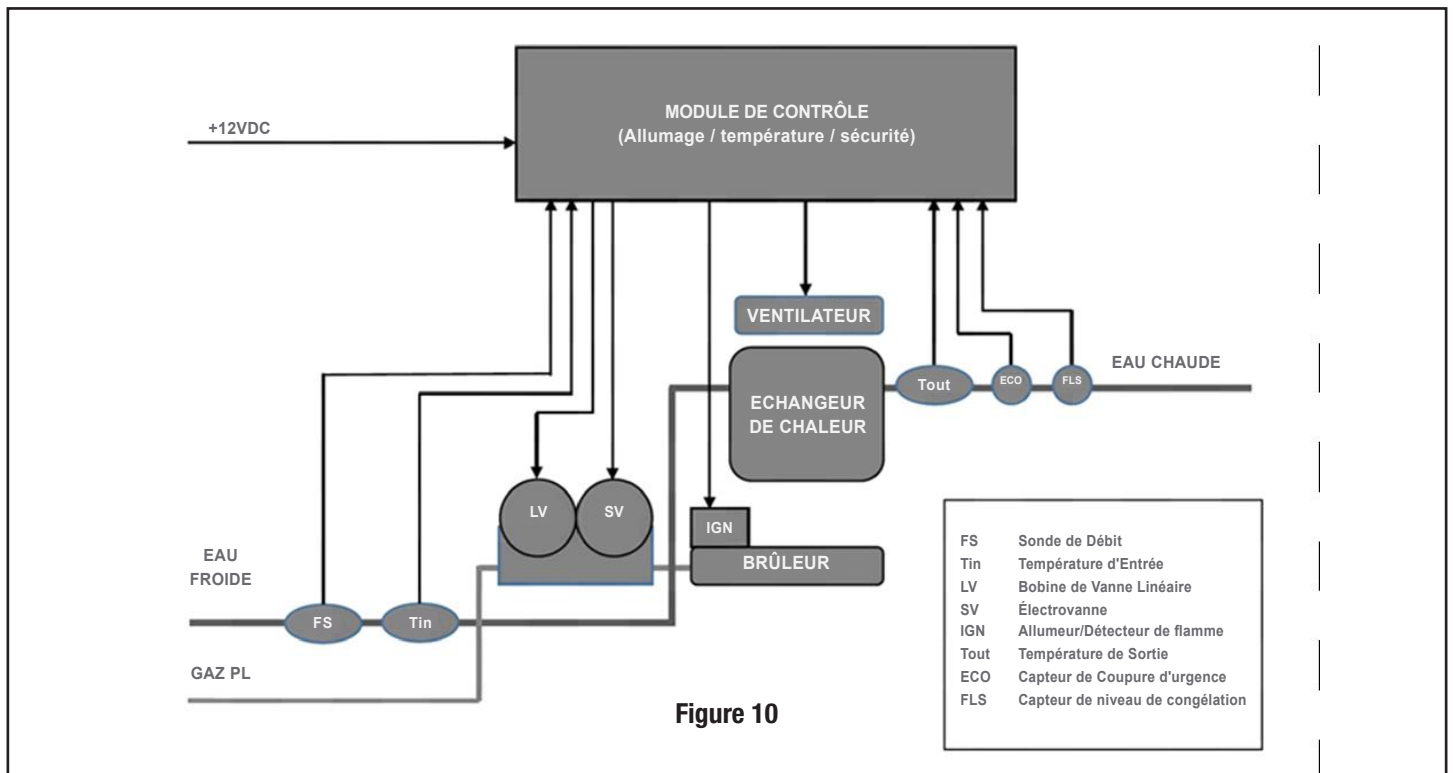


Figure 10

## Un diagramme des câblages des connexions électriques à l'intérieur de l'unité

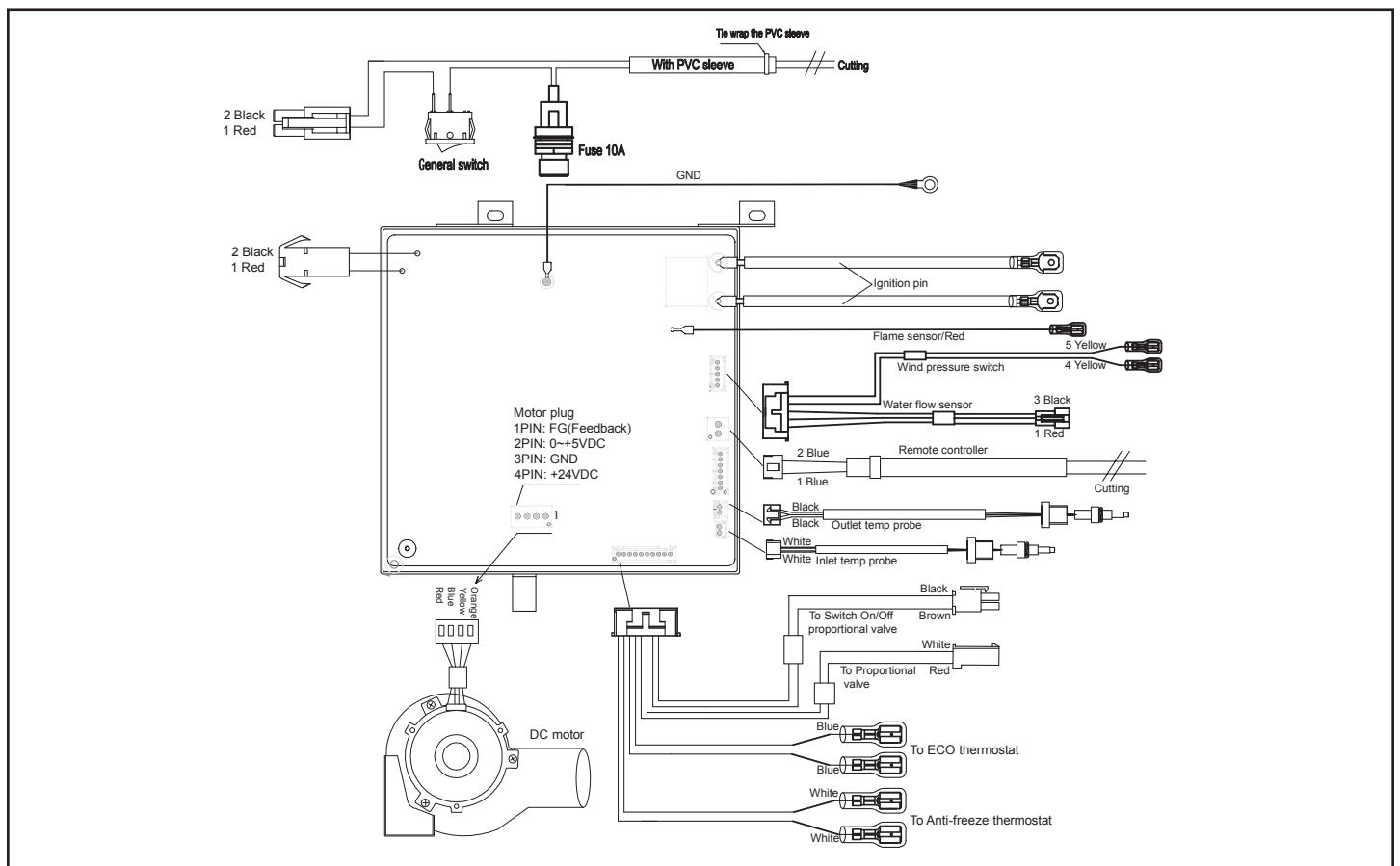
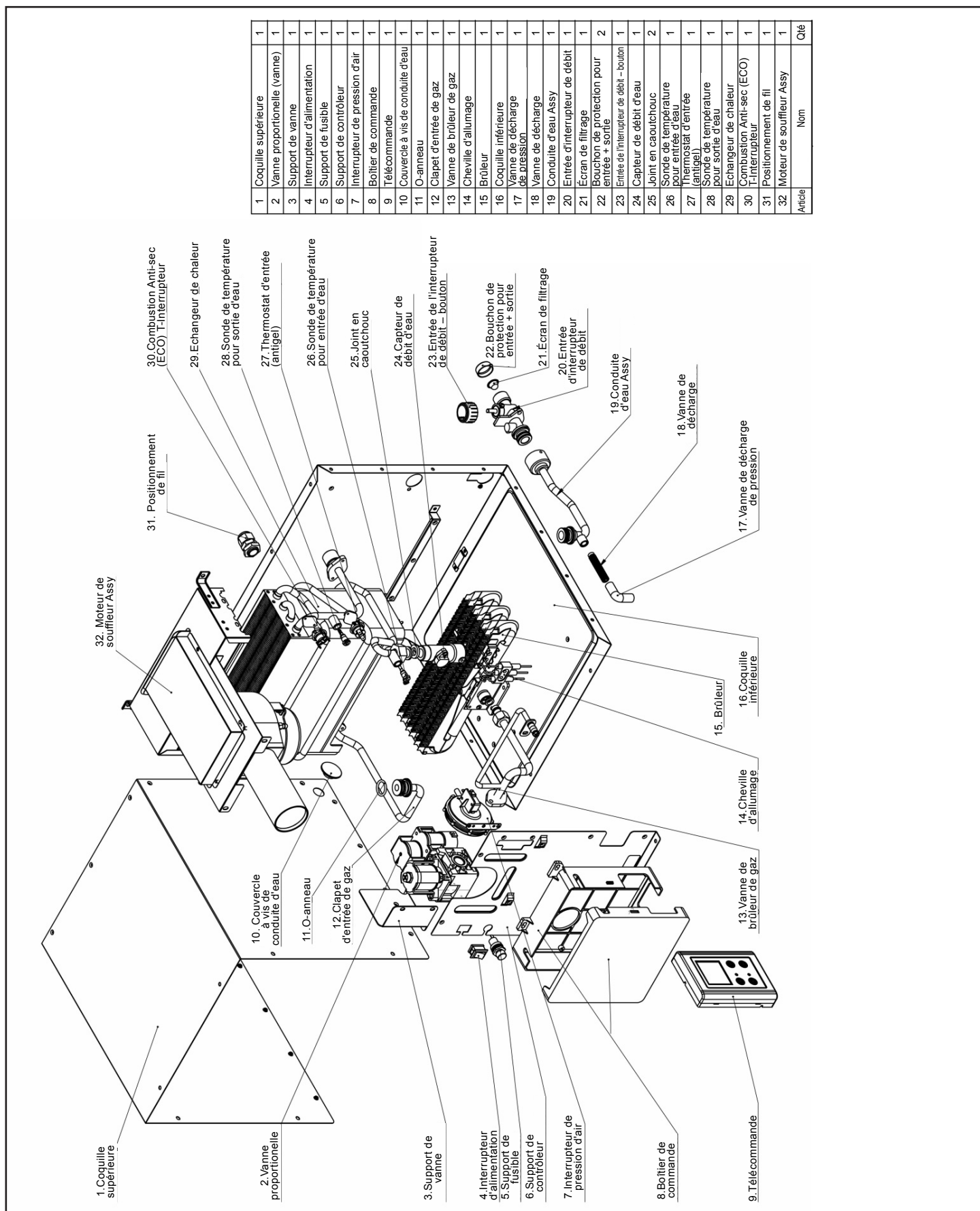


Figure 11

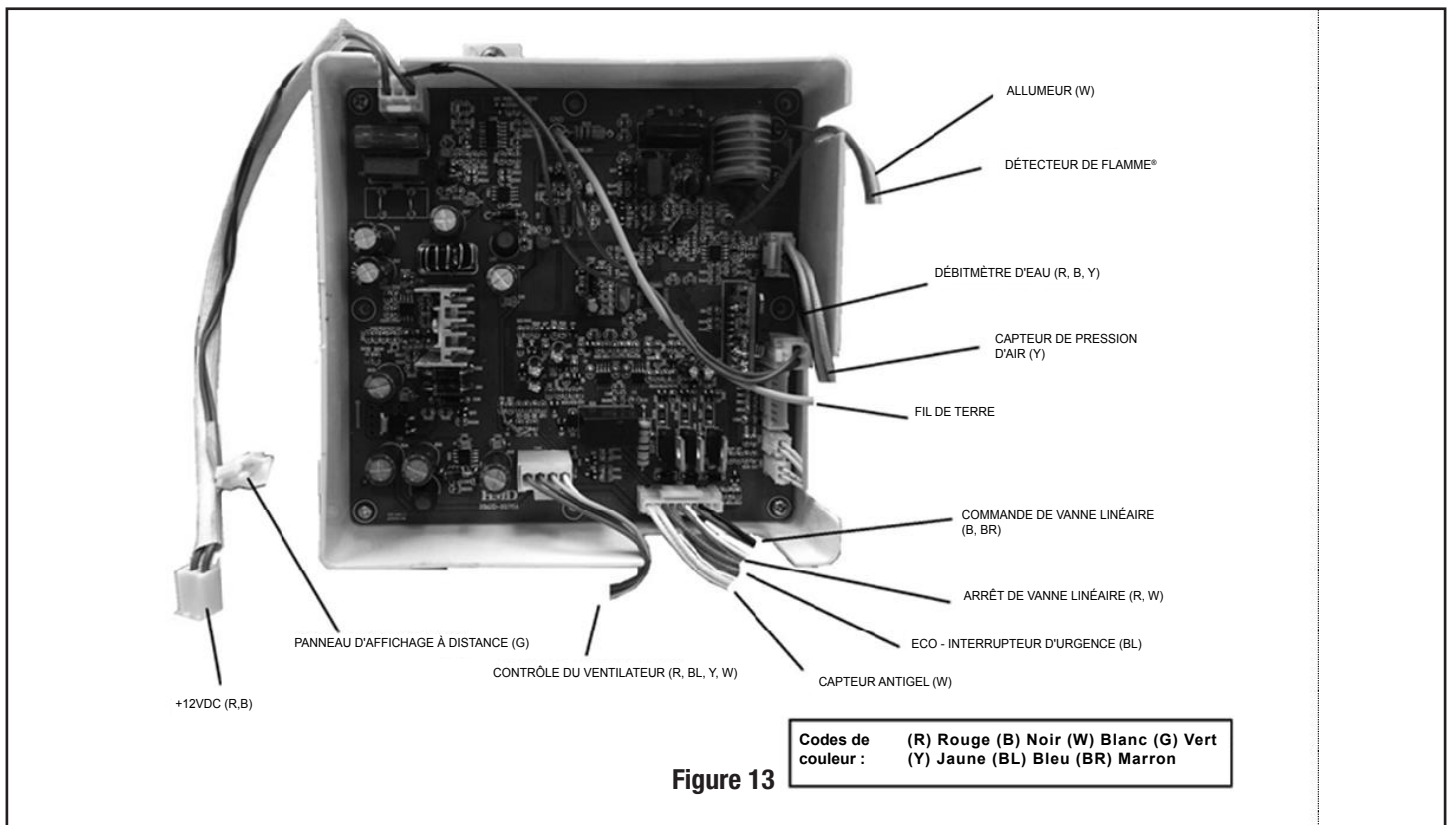
# Une vue éclatée de l'ensemble des composants



Article	Nom	Qté
1	Coquille supérieure	1
2	Vanne proportionnelle (vanne)	1
3	Support de vanne	1
4	Interrupteur d'alimentation	1
5	Support de fusible	1
6	Support de contrôleur	1
7	Interrupteur de pression d'air	1
8	Boîtier de commande	1
9	Télécommande	1
10	Couvercle à vis de conduite d'eau	1
11	O-anneau	1
12	Clapet d'entrée de gaz	1
13	Vanne de brûleur de gaz	1
14	Cheville d'allumage	1
15	Brûleur	1
16	Coquille inférieure	1
17	Vanne de décharge de pression	1
18	Vanne de décharge	1
19	Conduite d'eau Assy	1
20	Entrée d'interrupteur de débit	1
21	Écran de filtrage	1
22	Bouchon de protection pour entrée + sortie	2
23	Entrée de l'interrupteur de débit - bouton	1
24	Capteur de débit d'eau	1
25	Joint en caoutchouc	2
26	Sonde de température pour entrée d'eau	1
27	Thermostat d'entrée (antigel)	1
28	Sonde de température pour sortie d'eau	1
29	Echangeur de chaleur	1
30	Combustion Anti-sec (ECO) T-Interrupteur	1
31	Positionnement de fil	1
32	Moteur de souffleur Assy	1

Figure 12

## Une image de la module de contrôle et de ses connexions



## ENTRETIEN



### Attention:

Étiquetez tous les fils avant de les débrancher pendant l'entretien des contrôles. Les erreurs de câblage peuvent provoquer un fonctionnement incorrect et dangereux. Vérifiez le bon fonctionnement après l'entretien.

Nous recommandons que le chauffe-eau GSWH-2 soit inspectés tous les mois par l'utilisateur et au moins une fois par an par un Girard Products LLC recommandé technicien de service.

Avant une inspection, assurez-vous que l'alimentation électrique, le GPL et les systèmes d'eau sont allumés. Purger l'air de toutes les conduites d'eau chaude et froide. Vérifiez qu'il n'y a pas de matériaux combustibles, d'essence ou d'autres vapeurs et liquides inflammables à proximité de l'unité.

Une inspection de routine doit comprendre les éléments suivants:

**1. Inspectez l'intégrité de l'étanchéité (calfeutrage ou bande) entre la paroi latérale et la porte du chauffe-eau et veiller à ce que l'appareil est solidement fixé au véhicule.**

2. Vérifiez que les ouvertures d'entrée d'air (déflecteurs) sont totalement ouvert et libre de tout débris, y compris boue, feuilles, brindilles, insectes, etc. Retirez tous les obstacles pour permettre l'écoulement de plein air.

3. Les insectes, y compris les guêpes de boue et les araignées, peuvent construire des nids dans le tube de sortie d'échappement qui affecteront la performance de l'unité. Inspectez le Tube Sortie de conduit pour vous assurer qu'il est dégagée et que l'écran est propre. **Si des débris ou des insectes sont présents, propre et vide pour éliminer tous les débris. L'utilisation de tout type d'écran de rechange pour couvrir l'évent est interdite et annule la garantie.**
- 4. Ouvrez la porte et vérifiez qu'aucun débris ou étrangères matériaux combustibles sont présents partout (surtout dans le domaine du brûleur et les commandes de gaz); retirer tout article présente et essuyez le fond du boîtier.**
5. Inspecter la surface intérieure du boîtier pour des fissures ou des zones corrodées qui pourrait permettre la pénétration des gaz dans ou hors de l'intérieur du véhicule. Vérifiez en particulier autour de l'eau chaude, eau froide, gaz et les connexions électriques.
6. Il ya un écran sur la connexion de la ligne d'arrivée d'eau du chauffe-eau, dévisser la connexion de la ligne d'eau de l'entrée d'eau et vérifiez l'écran pour assurer qu'aucun débris.
7. Vérifiez que toutes les connexions sont solidement fixées et qu'il n'y a aucun signe de frottement ou de fissures au niveau de l'isolant. Vérifiez que le câble d'allumage par étincelle entre la Carte de Contrôle et l'allumeur est bien en place et n'est pas court-circuité à l'un des composants métalliques.
8. Au moins une fois par an activer la soupape de sécurité pour vérifier que ther a pas de blocage à la sortie. ASSURER QUE LE CHAUFFE-EAU n'a pas été sur RÉCEMMENT et l'eau découlant de la sortie d'eau chaude est froid.
- 9. Tournez sur la puissance du chauffe-eau et ouvrir un robinet d'eau chaude pour inspecter la flamme du brûleur. La flamme doit être de l'aspect bleuté normale qui indique une bonne combustion. Ceci peut être réalisé en observant les flammes à travers le côté du boîtier de contrôleur et en regardant le brûleur sous le bord de l'échangeur de chaleur (voir Figure 8).**
- 10. Si l'appareil surchauffe (limites) souvent et les décharges des soupapes de décharge périodiquement contacter votre centre de service.**

## SERVICE

Votre Chauffe-Eau sans réservoir Girard est fabriqué selon les normes les plus élevées et est conçu pour durer plusieurs années d'utilisation sans problème. Mais dans le cas où vous avez besoin de service, veuillez suivre les étapes décrites ci-dessous. Rappelez-vous qu'en tant que propriétaire, vous êtes tenu de fournir la preuve de la date d'achat par le biais d'un Acte de Vente ou autre document approprié.

1. Pour plus d'informations de garantie / service, contactez un centre de service Chauffe-Eau Girard Products; appelez le service d'assistance technique Girard Products au 949-259-4024 ou visitez notre site Web à [www.greenrvproducts.com](http://www.greenrvproducts.com) pour un centre de service locale recommandé.
2. Si le chauffe-eau Girard a été installé par le fabricant, il peut être sous leur garantie; suivez les étapes suggérées par le fabricant de votre VR ou contactez Girard Products.
3. Appelez le centre de service, décrivez votre problème et prenez un rendez-vous si nécessaire. LES APPELS DE SERVICE À L'EMPLACEMENT DU CLIENT SONT LA RESPONSABILITÉ DU PROPRIÉTAIRE.
4. **GIRARD PRODUCTS NE PAIERA PAS LE CENTRE DE SERVICE POUR LES RÉPARATIONS SOUS GARANTIE SANS AUTORISATION PRÉALABLE.**
5. Fournissez au Centre de Service la documentation d'achat de votre Chauffe-Eau Girard Products.

Le Chauffe-Eau GSWH-2 Girard Products est conçu pour une utilisation dans les véhicules récréatifs aux fins de chauffage d'eau comme indiqué sur la "plaque signalétique" attachée

### **GIRARD PRODUCTS, LLC**

1361 CALLE AVANZADO, SAN CLEMENTE, CA 92673

949-259-4024

[www.greenrvproducts.com](http://www.greenrvproducts.com)

GSWH-2 Owner's Manual Part No. 2GWH9401

01/2017