

# INSTALLATION INSTRUCTIONS

## Please note

- This products must be installed by a qualified plumber
- Not suitable for use with gravity-feed systems.
- Before installation all water lines must be flushed to remove any foreign material so it does not interfere with the flow regulated aerator or damage the cartridge.
- The flexible connecting hoses must be fitted to isolating stop cocks.
- Operating pressure 150 to 500 kpa.
- Both hot and cold inlet pressures should be equal.
- Maximum hot water temperature is 80 degrees Celsius.
- As per AS/NZS 3500.1.2003 clause 3.3.4
- The maximum operating pressure at any outlet, other than a fire service outlet, within a building does not exceed 1000 kpa.

## Installation of Basin & Sink mixer

1. Place O Ring Washer over the hole in sink/basin Where the mixer is to be installed.
2. Fit the Mixer Body onto the sink/basin hole.
3. Place the Horseshoe Washer on top of the Horseshoe Plate and fit it onto the Mounting Bolt using the Mounting Nut to tighten up the mixer from the underneath of the sink/basin.

**If the bottom of mixer is thread base, the following step are vital**

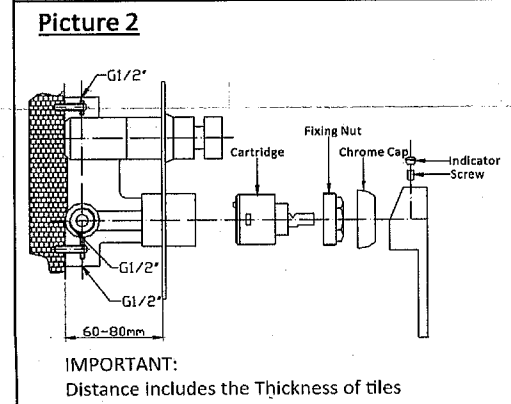
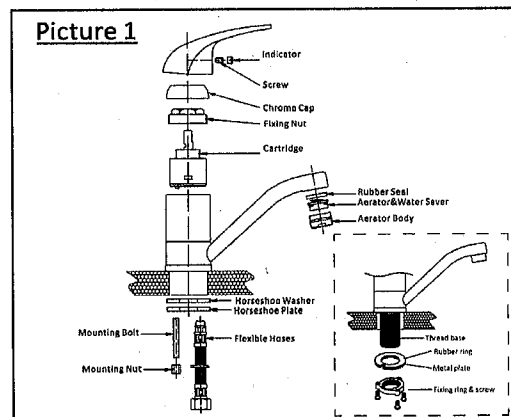
- Put the rubber ring on the top of the metal plate, then install them onto the thread base
  - Fixing ring have to be screwed into the thread base by hand manually, then three fixing screws should be tightened up by screw driver tightly
4. Install the Flexible Hoses now and ensure the Flexible Hoses are hand tightened into place (DO NOT USE SPANNER TO TIGHTEN AS IT CAN DAMAGE THE O RING). The Flexible Hoses are to be fitted into the correct inlets for hot water and for cold water (Red band for hot and blue band for cold).

## Installation of Shower & bath diverter mixer

1. Screw the mixer assembly in place. Hot water inlet connection to the left and cold to the right when facing the mixer.
2. Connect the mixer body with inlet and outlet pipes.
3. Test and check for leaks and functions working properly.
4. Remove the protective cover then push on the faceplate and install the handle and diverter knob by tightening the grub screw after tiling

## Important Notice

- Brazed connection should not be made directly on to the mixer
- Double check and make sure the mixer no leaking and all function working properly before tiling and waterproofing. The warranty does not cover tiling, waterproofing and any other jobs but exchanging the parts or mixers.



## Installation of Shower & bath mixer

1. Screw shower/bath mixer assembly in place. Hot water Inlet connection to the left and cold to the right when facing the mixer.
2. Attach water supply and water outlet.
3. Test and check for leaks and functions working properly.
4. Remove the protective cover then push on the cover plate and install the handle by tightening the grub screw after tiling

### Important Notice

- Brazed connection should not be made directly on to the mixer
- Double check and make sure the mixer no leaking and all function working properly before tiling and waterproofing. The warranty does not cover tiling, waterproofing and any other jobs but exchanging the parts or mixers.

## Installation of wall mixer with spout

1. Screw the mixer breach assembly in place. Check outlet and mixer are level
2. Connect the mixer body with water inlet pipes. Check "H" and "C" mark on the mixer body before connecting.
3. Test and check for leaks and functions working properly.
4. Remove the protective cover then push on the cover plate and install the handle and spout by tightening the grub screw after tiling

### Important Notice

- Brazed connection should not be made directly on to the mixer
- Double check and make sure the mixer no leaking and all function working properly before tiling and waterproofing. The warranty does not cover tiling, waterproofing and any other jobs but exchanging the parts or mixers.

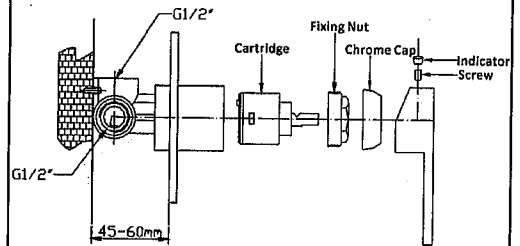
## Replacing Cartridge

- Turn off water supply.
- Remove indicator plug by using 2.5mm allen key loosen screw which is inside the handle and remove the handle
- Remove chrome cap by turning it with hand.
- Remove fixing nut by tool then lift out cartridge
- Put new cartridge into the mixer body and make sure the surface of mixer body is clean and the legs of new cartridge allocated in the mating holes in the mixer body.
- Screw the fixing nut back with 10nm torque, put chrome cap back.
- Fit the handle on the cartridge lever, tighten screw and put the indicator plug back in
- Turn on water supply and check operation

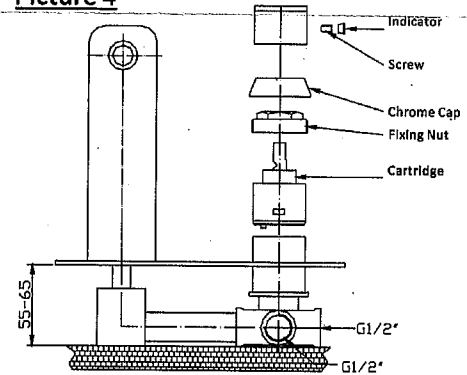
## Maintenance cleaning instructions:

- Do not use harsh detergents or abrasive cleaners, because these will scratch the surface.
- Where your tapware remains dry in use, a soft cloth can be used to remove surface dust. Alternatively, a wipe over with warm soapy water is all that is required to maintain the finish in perfect condition for a lifetime of use.

**Picture 3**



**Picture 4**



**IMPORTANT:**  
Distance includes the thickness of tiles