

Fully Automatic Satellite TV System

SatKing
PRO MAX

Are you looking for a fully automatic satellite TV system that is easy to install and very easy to use?

The SatKing Pro Max is the most advanced Motorised Satellite TV System on the market. Utilising the latest in flat panel design, the unit is compact yet very powerful. Adding to this the Pro Max has recently been upgraded to provide Australia wide coverage (excluding the tip of Cape York) for all VAST & Foxtel channels. You can now watch TV all around Australia.

The Pro Max has a dual output LNB as standard and is suitable for VAST, Foxtel and Foxtel IQ. The unit is already high definition MPEG4 so as TV networks change to MPEG4 HD the Pro Max will be unaffected, many automatic dishes currently on the Australian market are MPEG2 and in the future these units will stop working.

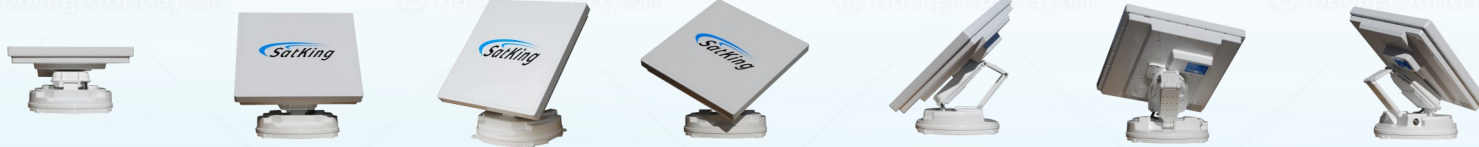
The Pro Max requires the smallest amount of roof space on the van, no more compromises with solar panels and other competing products. With the unit being so small you can position the unit where it is convenient to install.

The SatKing Pro Max is user friendly, simply select your preferred satellite and press "OK", the satellite system then adjusts automatically for you. Locking the signal takes less than 80 seconds and with last position memory, your next set up will be even faster.

The SatKing Pro Max has a built in 24 channel GPS system, setting a new standard for signal location. The GPS system allows the Pro Max to know exactly where the unit is saving on search times. The GPS will even lower the unit if you forget to put the Pro Max down once you exceed 10kph.

The SatKing Pro Max is a premium satellite system made for harsh Australian conditions, the unit is backed with a 3 year Australian warranty and technical support via our 1300 helpline number





Coverage Explained

The SatKing Pro Max has recently been upgraded to now provide coverage across all of Australia (excluding the tip of Cape York) for all VAST and Foxtel channels. Area's in green you should expect to receive all channels. The tip of Cape York you should expect to only receive some channels.

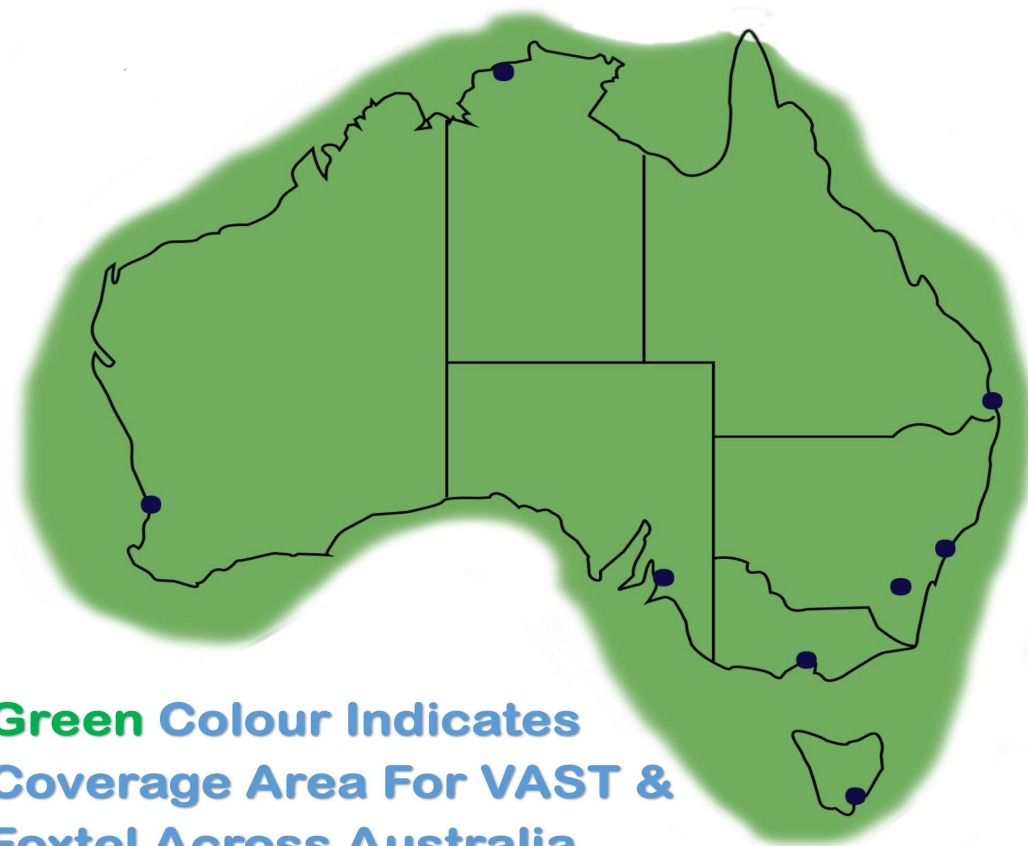
Satellite TV comes from the sky, to receive the satellite TV signal you will need a clear view to the north not restricted by trees. The signal can also be affected by heavy rain, if this is the case just wait for the rain event to pass and normal service will resume.

The Pro Max unlike the large round dishes is not affected by high winds, there is no need to lower the dish in high winds and you can continue to watch TV. Winds don't cause the picture to pixelate with the Pro Max like the large dishes that move in the wind.

The Pro Max using advanced flat panel technology means the gain of the antenna is greatly increased compared to conventional satellite dishes. Combine this with very precise alignment technology and the unit automatically fine tuning once the satellite signal is locked makes the Pro Max superior to other options in the market.

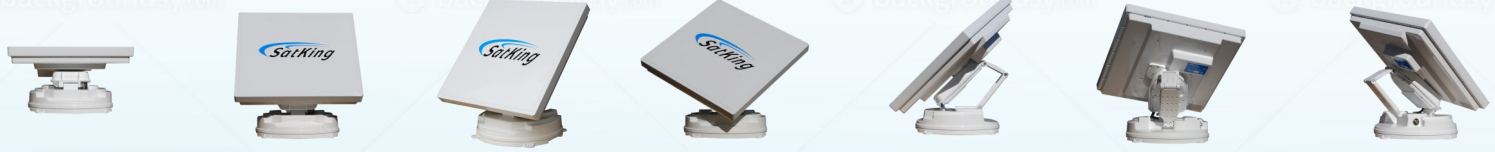


Pro Max Signal Map



**Green Colour Indicates
Coverage Area For VAST &
Foxtel Across Australia**

Updated 3/10/2016



How to Watch TV Explained

The SatKing Pro Max is an automatic satellite TV system required to receive the satellite TV signal but to watch TV you will need to connect a set top box.

There are two options when it comes to set top boxes, you can either buy a VAST receiver or bring your own Foxtel satellite set top box. Using either is simple, just plug your receiver or set top box into the Pro Max and you will be watching TV in a minute or so.

VAST TV Explained

VAST is the most popular method of watching TV with your Automatic satellite TV system. VAST is basically the same channels as you receive in the capital city but with commercials from regional Australia. You receive ABC, SBS, 7, 9, 10 and their secondary channels like ABC2, GO, Gem, One, Eleven, 7Two and 7Mate. VAST receivers are available from all Pro Max dealers. With VAST there are no subscription charges.

Foxtel Explained

If you choose to bring your own Foxtel satellite set top box, just simply plug the set top box into the Pro Max and within a minute or so all the channels you access at home will be available. Note catch up TV services are delivered by the internet and can't be received via satellite TV and subscription charges apply.

Frequently Asked Questions

Q: Can I use both VAST and Foxtel at the same time?

A: Yes as the Pro Max has two outputs so you can run both at the same time

Q: Are all the gears in the Pro Max metal?

A: Yes all the gears in the Pro Max are metal

Q: In high winds will the TV picture pixelate or will I have to lower the dish?

A: The Pro Max is not affected by wind like other dishes

Q: Does the Pro Max use much power?

A: The Pro Max uses very little power, once the unit has found the signal you can actually turn the unit off and use no power at all and still watch TV

Q: How can the Pro Max be so small and have such a large coverage range?

A: The Pro Max uses special grid antenna panels and uses the most precise GPS alignment technology to achieve such high signal levels in a small body

Q: If I need help is there any support available?

A: SatKing has a dedicated 1300 number and a large dealer network across Australia

Q: Do I require much space to mount the Pro Max on my van?

A: The Pro Max requires the smallest amount of roof space on the market

Q: Is the Pro Max designed for Australian conditions?

A: The Promax has been specially designed for harsh Australian conditions. SatKing has specifically engineered the product here in Australia

Q: What about SatKing who are they and where do the profits go?

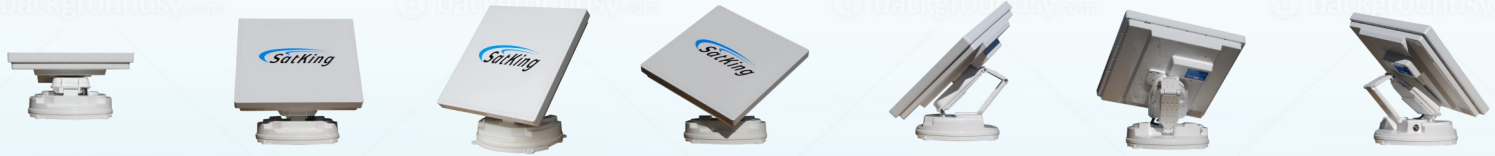
A: SatKing is a wholly owned Australian company and all the profits stay here

Q: Is the Pro Max easy to use?

A: Yes just press the "Power button" and then press "OK" and the Pro Max does the rest

Q: Can the Pro Max be used to receive the internet?

A: Satellite TV systems can't receive the internet, they use a different part of the band

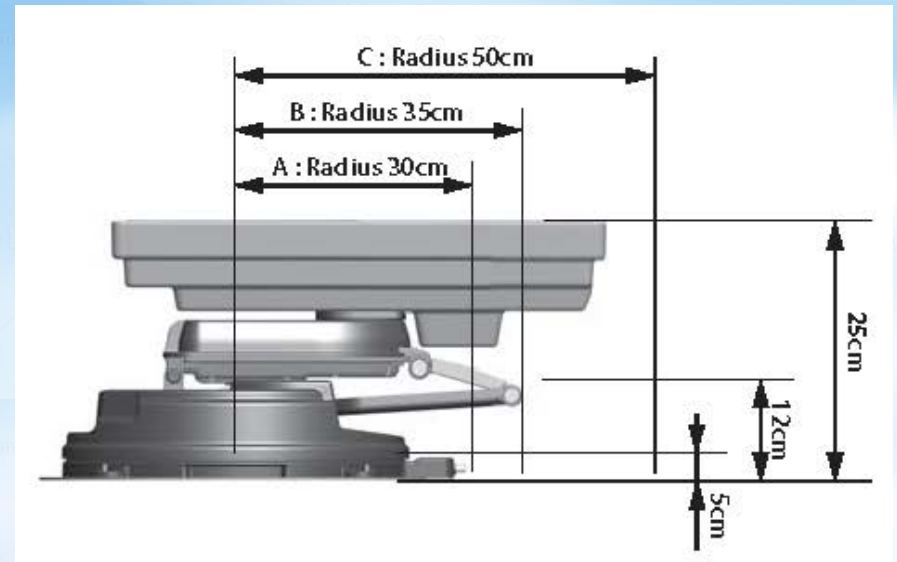
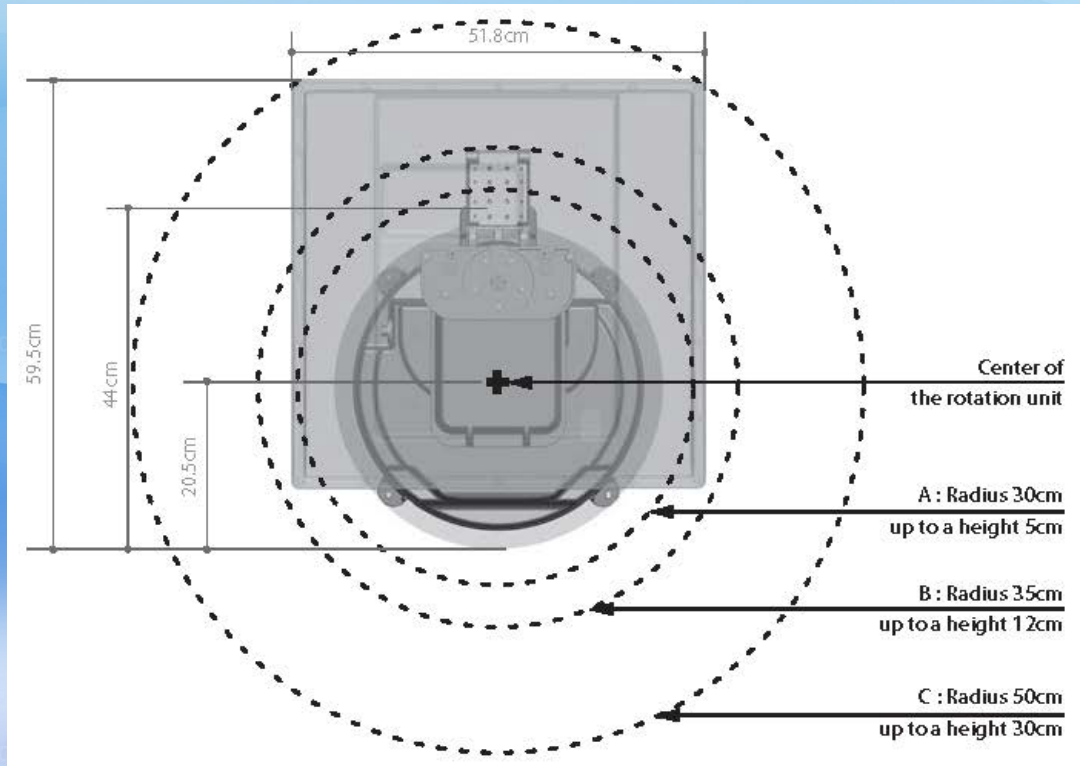


Installation Explained

The SatKing Pro Max requires only a very small amount of space to be installed, in general half the area of a conventional old style round dish. No longer do you have to position your motorised system in the rear corner of the van and have long cable runs. The unit can be installed where it is convenient or even directly above your TV making installation even easier. The diagrams below show the area required for the Pro Max to operate, in general the Pro Max needs clearance of 50cm from the centre of the unit but as per below some existing products on your roof can be within the 50cm exclusion area depending on their height.

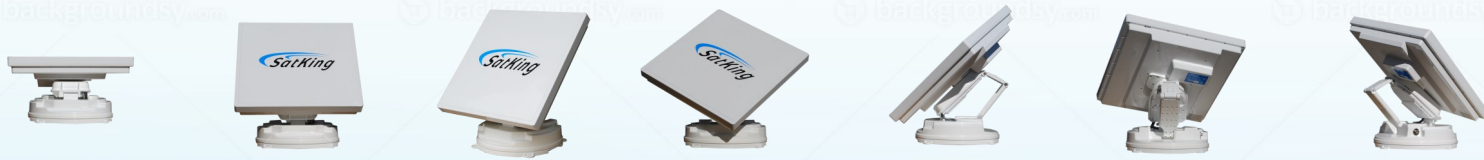
How to Install

With the Pro Max you can either do a self install or get your caravan dealer to install the unit for you. SatKing or SatKing dealers can also recommend installers in your local area to do the complete installation for you.

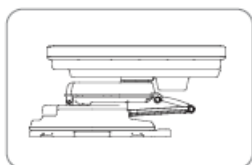


SatKing

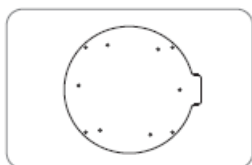
PRO MAX



What's Included



Main unit



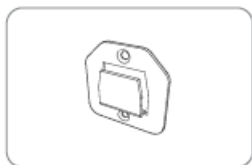
Mounting plate



Controller(labeled) cable - 7m



Controller



Controller bracket



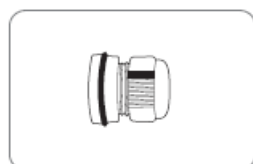
Power input cable
+ (Red), - (Black)



Receiver(labeled) cable - 7m
(x2 for twin output LNB)



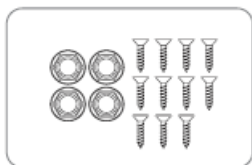
Cable holder



Cable gland



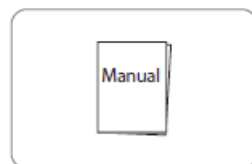
Spanner



M4x20 (11), M8 Flanged nut (4)

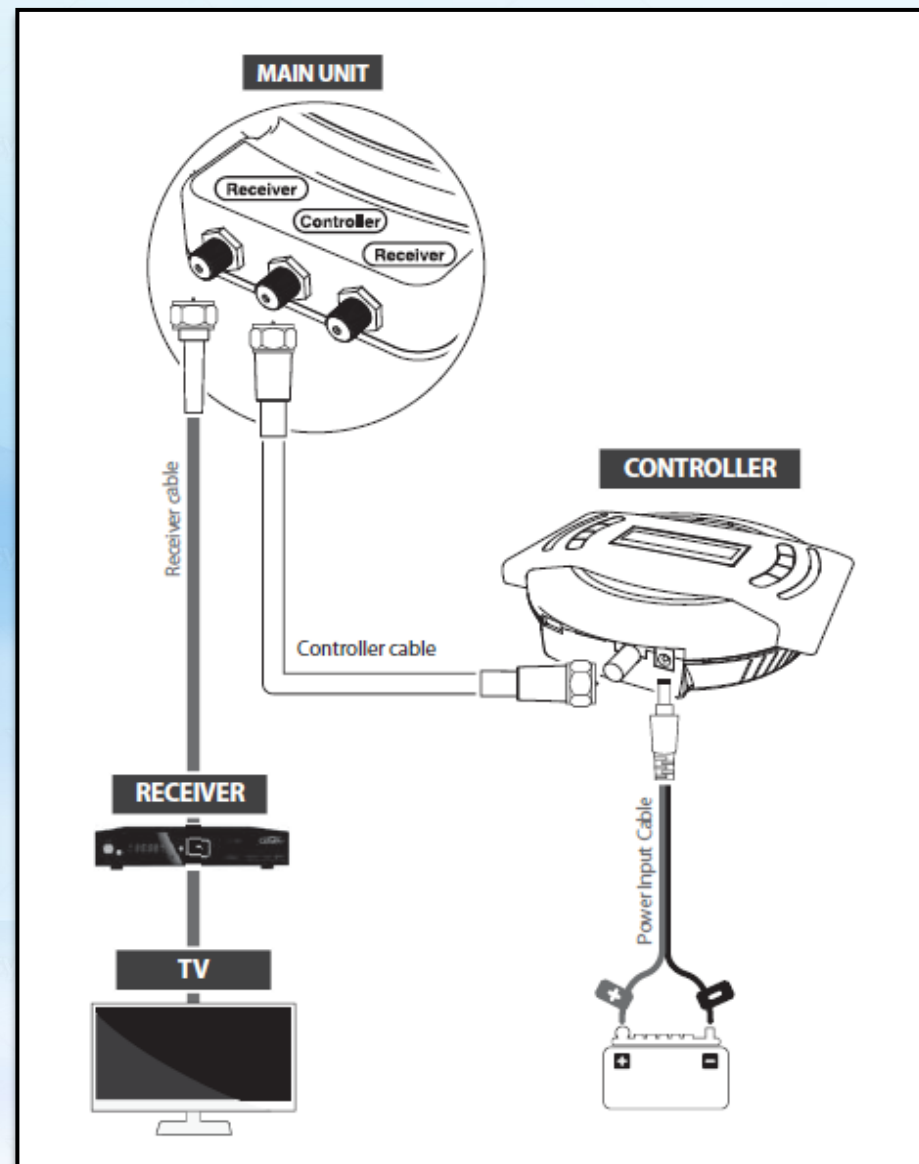


Washer (4)



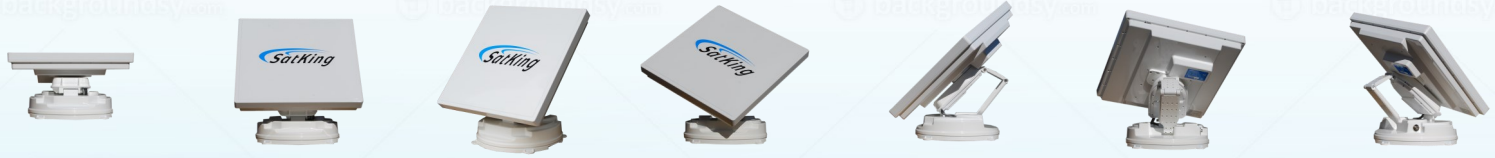
User manual

Easy Install



SatKing

PRO MAX



Compact remote control with LCD display



The complete system is supplied in one gift box

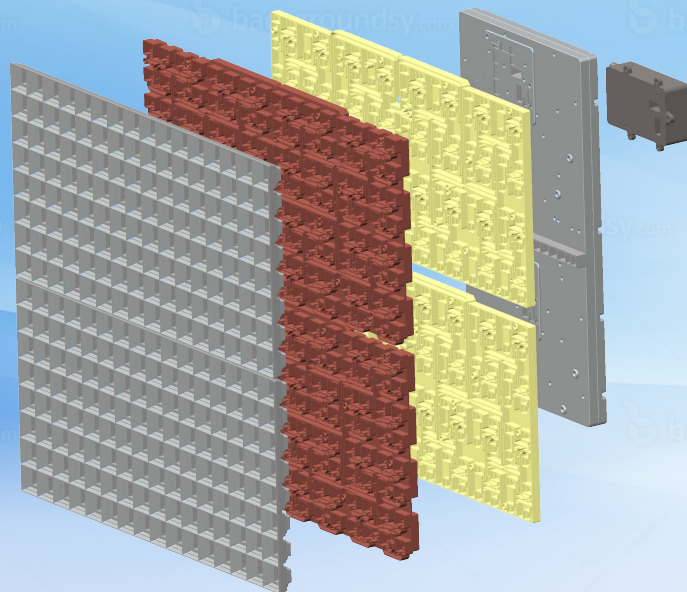
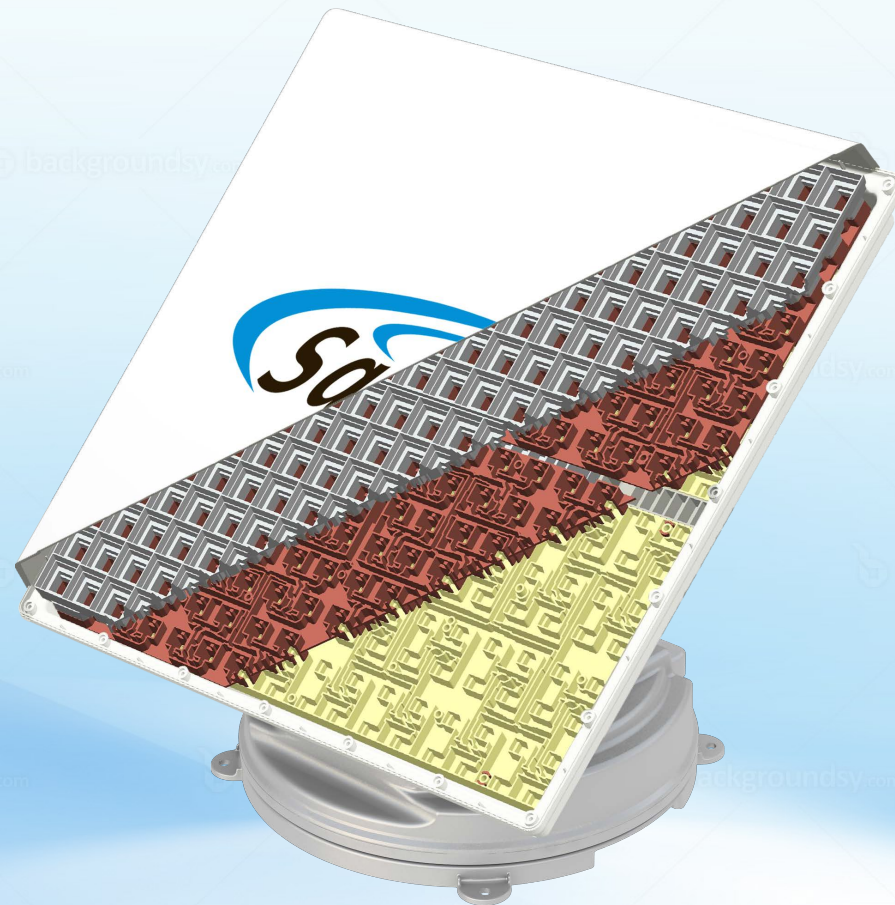
Don't have and satellite receiver yet? Why not add Australia's #1 selling VAST Receiver, the SatKing DVBS2 800CA to the Pro Max to have the perfect setup. VAST receivers provide similar TV channels to your local TV at home.





Advanced Flat Panel Technology

The Pro Max uses multiple flat panel antenna grids phased together to greatly increase antenna gain. This technology is commonly used in the military and means the Pro Max automatic satellite TV system can be much smaller than other automatic systems but still have Australia wide coverage.



www.satkingpromax.com.au



Scan for more Info